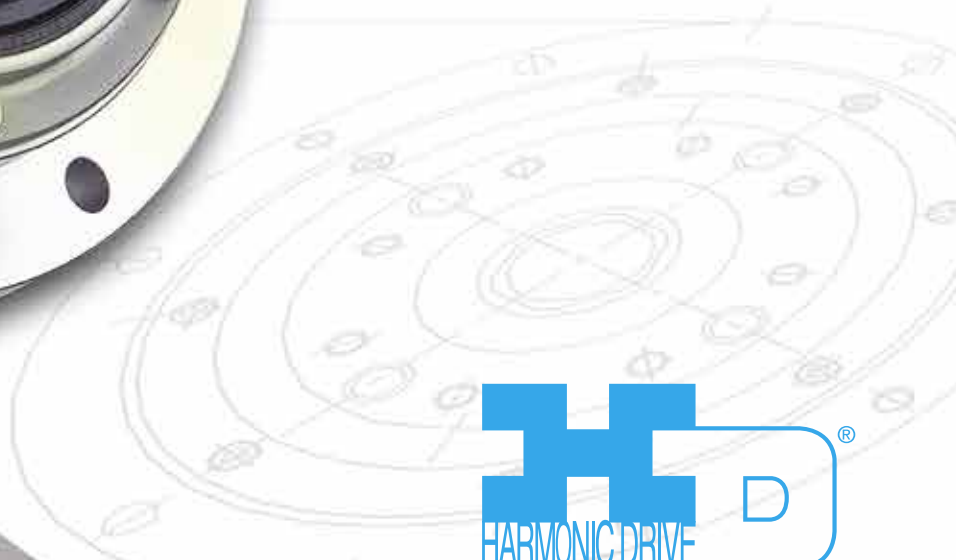


Harmonic Drive LLC

Precision Actuators • Gearheads • Gearing Components



Total
Motion
Control

Sold & Serviced by:
 **ELECTROMATE**

Toll Free Phone: (877) SERV098
Toll Free Fax: (877) SERV099

www.electromate.com
sales@electromate.com

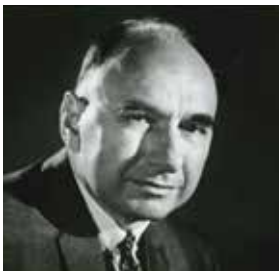


Excellent Technology for Evolving Industries

Harmonic Drive LLC engineers and manufactures precision servo actuators, gearheads and gear component sets. We work closely with companies of all sizes to understand their application requirements and provide a standard or custom-engineered solution to enable the success of their design project. Our mission is to provide motion control solutions that give our customers a competitive advantage.

With over 50 years of experience, our expert engineering and production teams develop enabling technologies and products to meet the needs of an evolving motion-control market. We are very proud of our outstanding company history.

Our high-precision, zero-backlash Harmonic Drive® actuators and gears have, and continue to play critical roles in robotics, spaceflight applications, semiconductor manufacturing equipment, factory automation equipment, medical diagnostics, and surgical robotics.



C. Walt Musser
Patented Strain Wave Gearing
in 1955

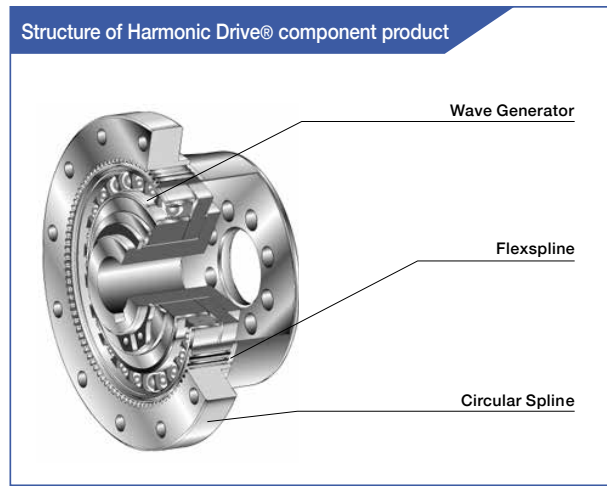
Harmonic Drive® High-Precision Strain Wave Gearing

Features

- Zero backlash
- High positioning accuracy
- High repeatability
- Compactness
- Light weight
- High reduction ratio
- High torque capacity
- High efficiency
- Quiet operation

Structure

Utilizing a unique operating principle, the gear consists of only 3 basic parts (Wave Generator, Flexspline, and Circular Spline). It provides excellent features not found in other speed reducers.



Wave Generator

The Wave Generator is a thin raced ball bearing fitted onto an elliptical hub. This serves as a high efficiency torque converter and is generally mounted onto the input or motor shaft.

Flexspline

The Flexspline is a non-rigid, thin cylindrical cup with external teeth on the open end of the cup. The Flexspline fits over the Wave Generator and takes on its elliptical shape. The Flexspline is generally used as the output of the gear.

Circular Spline

The Circular Spline is a rigid ring with internal teeth. It engages the teeth of the Flexspline across the major axis of the Wave Generator ellipse. The Circular Spline has two more teeth than the Flexspline and is generally mounted onto a housing.

Operating Principle

The Flexspline is slightly smaller in diameter than the Circular Spline and usually has two fewer teeth than the Circular Spline. The elliptical shape of the Wave Generator causes the teeth of the Flexspline to engage the Circular Spline at two opposite regions across the major axis of the ellipse.

As the Wave Generator rotates the teeth of the Flexspline engage with the Circular Spline at the major axis. For every 180 degree clockwise movement of the Wave Generator the Flexspline rotates counter-clockwise by one tooth in relation to the Circular Spline.

One Turn of Wave Generator

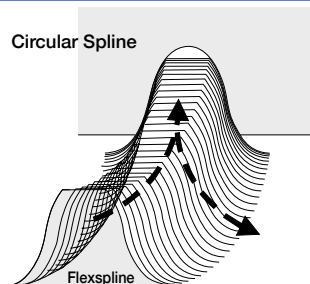
Each complete clockwise rotation of the Wave Generator results in the Flexspline moving counter-clockwise by two teeth from its original position relative to the Circular Spline.

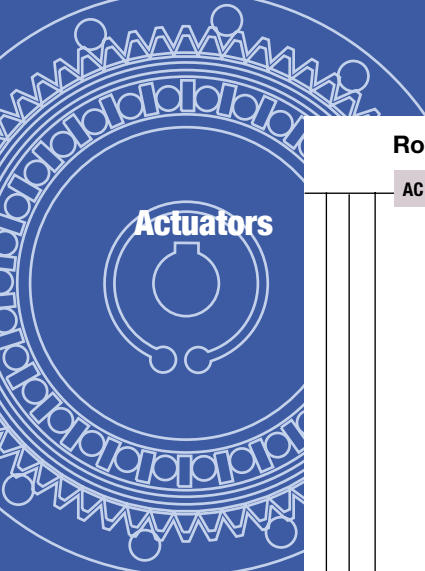
Tooth engagement

The strain wave gear has a unique tooth engagement which results in a zero-backlash gear mesh that provides high positional accuracy and high torque with a compact form factor.

The Harmonic Drive® strain wave gear utilizes a unique gear tooth profile for optimized tooth engagement. Unlike an involute tooth profile, which is used in conventional gears, this optimized tooth profile ("S tooth") enables about 30% of the total number of teeth to be engaged at the same time. This technological innovation results in high torque, high torsional stiffness, long life and smooth rotation.

The "S" tooth profile eliminates stress concentration by widening the tooth root and providing a large tooth root radius. This figure shows the progression of the Flexspline tooth engagement as it meshes with the teeth of the fixed Circular Spline.





Rotary Actuators

			Peak Torque (Nm)	Maximum Speed (rpm)
AC Servomotors	Miniature Flat	FHA Integrated	1.8~28	60~200
	Miniature Flat Hollow Shaft	FHA-C mini	1.8~28	60~200
	Flat Hollow Shaft	FHA-C	39~820	22~96
	Flat Hollow Shaft	FHA-C PR	39~820	22~96
	Flat Hollow Shaft	FHA-C H	39~820	22~96
	Hollow Shaft	SHA-CG	23~841	25 ~120
	Flat Hollow Shaft	SHA-SG	26~3419	17~118
	Ultra-flat	FLA	1.8 ~ 34	50~500
	Ultra Compact Cylinder	RSF Supermini	0.13~1.4	100~333
	Compact Cylinder	RSF mini	1.8~28	60~200
	Compact Cylinder	RSF	34~330	45~90
Compact Cylinder	RKF	56~330	45~90	
DC Servomotors	Compact Cylinder	RH mini	0.39~20	50~180
Direct Drive Motor	Ultra Precision Direct Drive Motor	KDU	7.0~15.0	160~180
Hollow Shaft Motor	Ultra Precision Hollow Shaft	HMA	1.8~33	3000~6000

Linear Actuators

			Maximum Driving Force (N)	Maximum Speed (mm/s)	Stroke (mm)
AC Servomotor	High-Force Positioning	LBC	6000~12000	10~20	50
DC Servomotors	Low-Force Positioning	LA	49	0.9	10~30
	Medium-Force Positioning	LAH-46	392	3.7	10~30
Stepping Motors	High-Force Positioning	LAH-80	3000	3000	0.9~10

Other Actuators

			Moment of Inertia (g.cm ²)	Torque Constant (N•m/A(rms))
Optical Galvano Scanners	High Accuracy, High Response	LSA	1.9~8.5	0.0082~0.05

Sensors

Super-Compact Encoders	Micro Encoder
------------------------	---------------

Servo Drives

			Pulse Position Command	Analog Speed Command	Mono-shaft Control (Command)	Interface to Absolute Encoder	Interface to Incremental Encoder
DC Digital Servo Drive	Multiple Operating Modes	DCJ Series	•	•	•	–	•
	Multiple Operating Modes	DDP Series	•	•	•	–	•
AC Digital Servo Drive	Multiple Communication Modes	RTL Series	•	•	•	–	•
	Multiple Operating Modes	REL Series	•	•	•	•	•

The combinations with actuator and drive may not comply with foreign safety standards. Please contact our sales office.



FHA Integrated (Page 8)



FHA-C mini (Page 10)



FHA-C (Page 11)



FHA-C PR (Page 12)



FHA-C H (Page 14)



SHA-CG (Page 16)



SHA-SG (Page 18)



FLA (Page 20)



RSF Supermini (Page 22)



RSF Mini (Page 23)



RSF (Page 24)



RKF (Page 25)



RH Mini Series
(Page 26)



KDU (Page 27)



HMA Motor (Page 28)



LBC (Page 29)



LA (Page 30)



LAH-46 (Page 31)



LAH-80 (Page 31)



LSA (Page 32)

Custom actuators also available. Contact us to find out more about our engineering design services.



Micro Encoder (Page 33)



DDP
(Pages 34-35)



DCJ
(Pages 34-35)



RTL/REL
(Pages 34-35)

Field Boss Options



Speed Reducers

Harmonic Drive® Precision Product

Component

Component Gear Sets

Consisting of three basic components: flexspline, circular spline and wave generator; component gear sets offer ultimate design flexibility and can be tightly integrated in equipment sub-structures.

Component	Cup	Standard	CSF	Peak Torque (Nm)	Reduction Ratio
Component	Cup	Standard	CSF	1.8~9200	30:1~160:1
		High-Torque	CSG	23~3400	50:1~160:1
		Ultra-Flat	CSD	12~750	50:1~120:1
Pancake	Cup	Standard	FB	3.2~500	50:1~160:1
		High-Torque	FR	5.4~7900	50:1~320:1
Silk Hat	Cup	Standard	SHF	9.0~1800	30:1~160:1
		High-Torque	SHG	23~3400	50:1~160:1

Gear Unit

Gear Unit

Housed component gearing combined with precision cross roller output bearing & flange. Very compact, robust and easy to use gearhead solution.

Gear Unit	Cup	Standard	CSF-2UH	Peak Torque (Nm)	Reduction Ratio
Gear Unit	Cup	Standard	CSF-2UH	9.0~2600	30:1~160:1
		Standard, Lightweight	CSF-2UH-LW	9.0~2600	30:1~160:1
		High-Torque	CSG-2UH	23~3400	50:1~160:1
		High-Torque, Lightweight	CSG-2UH-LW	23~3400	50:1~160:1
		High-Torque, Full Unit	CSG-2UK	127~3400	50:1~160:1
		Large Hollow Shaft	FBS-2UH	25~92	30:1~50:1
		Ultra-Flat	CSD-2UH	12~823	50:1~120:1
		Ultra-Flat	CSD-2UF	12~453	50:1~120:1
		Compact Mini	CSF-2XH	0.5~28	30:1~100:1
		Compact Mini, Double Shaft	CSF-1U	0.13~28	30:1~100:1
		Mini, Ultra-Flat	CSF-2UP	1.8~28	30:1~100:1
		Silk Hat	Silk Hat	Hollow Shaft	SHF-2UH
Hollow Shaft, Lightweight	SHF-2UH-LW			9.0~1800	30:1~160:1
High-Torque, Hollow Shaft	SHG-2UH			23~3400	50:1~160:1
High-Torque, Hollow Shaft, Lightweight	SHG-2UH-LW			23~3400	50:1~160:1
Input Shaft	SHF-2UJ			9.0~1800	30:1~160:1
High-Torque, Input Shaft	SHG-2UJ			23~3400	50:1~160:1
Ultra-Flat, Hollow Shaft, Lightweight	SHD-2UH-LW			12~450	50:1~120:1

Simplicity Gear Unit

Simplicity Gear Unit

Non-housed component gearing combined with a precision cross roller output bearing. Similar to Gear Units (above), without the housing and output flange, for tighter integration into the customer's housing or machine structure.

Simplicity Gear Unit	Silk Hat	Ultra-flat, Hollow shaft	SHD-2SH	Peak Torque (Nm)	Reduction Ratio
Simplicity Gear Unit	Silk Hat	Ultra-flat, Hollow shaft	SHD-2SH	12~450	50:1~120:1
		Hollow Shaft	SHF-2SH	9.0~1800	30:1~160:1
		High-torque, Hollow shaft	SHG-2SH	23~3400	50:1~160:1
		Input coupling	SHF-2SO	9.0~1800	30:1~160:1
		High-torque, Input coupling	SHG-2SO	23~3400	50:1~160:1

Phase Adjustment Unit

Phase Adjustment Unit	Coupling Indexer	Manual Phase Adjuster	HDI	Peak Torque (Nm)	Reduction Ratio	
Phase Adjustment Unit	Coupling Indexer	Manual Phase Adjuster	HDI	100~500	100:1	
		Pancake	Differential	FD	23~3400	80:1~320:1
			1:1 Differential	FBB	28~655	80:1~160:1

Quick Connect® Gearheads

Gearhead

Planetary Gearing

Gearhead

Gearhead	Cup	Standard	CSF-GH	Peak Torque (Nm)	Reduction Ratio	Motor Capacity (W)
Gearhead	Cup	Standard	CSF-GH	18~2600	50:1~160:1	30~5000
		High-torque	CSG-GH	23~3400	50:1~160:1	30~5000
Planetary Gearing	Cup	Standard	HPG	5~3200	3:1~50:1	10~15000
		High-torque	HPGP	12~3940	4:1~45:1	10~15000
		Helical	HPG-R	5~400	3:1~10:1	10~15000
		Standard Right Angle	HPG-RA	150~2200	5:1~50:1	500~8000
		Value	HPN	9~752	3:1~50:1	30~7500
		Hollow shaft	HPF	100~220	11:1	500~2000



CSF (Page 36)



CSG (Page 37)



CSD (Page 38)



FB (Page 39)



FR (Page 39)



SHF (Page 40)
SHG (Page 41)



CSF-2UH
(Page 42)



CSG-2UH
(Page 44)



CSF -2UH-LW (Pg 43)
CSG -2UH-LW (Pg 45)



CSG-2UK
(Page 46)



FBS-2UH
(Page 47)



CSD-2UH
(Page 48)



CSD-2UF
(Page 59)



CSF mini
(Page 50)



CSF-2UP
(Page 51)



SHF-2UH (Pg 52)
SHG-2UH (Pg 54)



SHF-2UJ (Page 52)
SHG-2UJ (Page 54)



SHF -2UH-LW (Pg 53)
SHG -2UH-LW (Pg 55)



SHD-2UH-LW
(Page 56)



SHD-2SH (Page 57)



SHF-2SH (Page 58), SHG-2SH (Page 59)



SHF-2SO (Page 58), SHG-2SO (Page 59)



FD Series Component Type (Page 60)



FD Series Unit Type (Page 61)



FBB (Page 62)



HDI Phase Adjuster (Page 63)



CSG-GH (Page 65)
CSF-GH (Page 64)



HPG (Page 66)
HPG-R (Page 67)



HPGP (Page 68)



HPG RA (Page 69)



HPN -A (Page 70)



HPN-L (Page 71)



HPN-RA (Page 72)



HPF (Page 73)



Rack and Pinion
(Page 74)

Brushless Actuators FHA-C Mini with Integrated Servo Drive



The FHA-C mini Series is a family of extremely compact actuators that deliver high torque with exceptional accuracy and repeatability. As part of the FHA-C mini family, an integrated servo drive version utilizing CANopen® communication is now available. This evolutionary product eliminates the need for an external drive and greatly improves wiring while retaining high-positional accuracy and torsional stiffness in a compact housing.

- Actuator + Integrated Servo Drive utilizing CANopen communication
- 24VDC Nominal +7-28VDC Supply Voltage Range
- Single Cable with only 4 wires needed: CANH, CANL, +24VDC, 0VDC
- Zero Backlash
- Dual Absolute Encoders
- Panel Mount Connectors with 4 exit options
- Output Sensing Encoder 14bit (16384 cpr) resolution
- Input Sensing Encoder 15bit (32768 cpr) resolution
- Control Modes Including Torque, Velocity, and Position Control, CSP, CSV, CST
- HDL Software

•FHA-C Mini with Integrated Servo Drive Series Ratings

Item		Size	FHA-8C			FHA-11C			FHA-14C		
			30	50	100	30	50	100	30	50	100
Maximum torque	Nm		1.8	3.3	4.8	4.5	8.3	11	9.0	18	28
Maximum speed	rpm		200	120	60	200	120	60	200	120	60
Torque constant	Nm/A _{rms}		0.8	1.3	2.7	0.8	1.3	2.6	0.8	1.4	2.9
Motor Maximum current	A _{rms}		3.0	3.3	2.4	7.8	8.2	5.6	14.8	16.4	12.3
Motor Allowable continuous current	A _{rms}		1.6	1.7	1.3	3.7	3.5	2.8	6	5.4	4.4
Input Power supply voltage	V		24VDC								
EMF constant	V/(rpm)		0.10	0.16	0.32	0.09	0.15	0.31	0.10	0.17	0.34
Phase resistance	Ω(20°C)		0.54			0.19			0.07		
Phase inductance	mH		0.22			0.11			0.06		
Number of poles			10								
Moment of inertia	GD ² /4	kgm ²	0.0036	0.0100	0.0399	0.007	0.019	0.077	0.019	0.052	0.206
Allowable moment load	Nm		15			40			75		
Moment Stiffness	Nm/rad		2 x 10 ⁴			4 x 10 ⁴			8 x 10 ⁴		
Output shaft resolution (Note 2)	Dual ABS Motor	counts/rev	983,040	1,638,400	3,276,800	983,040	1,638,400	3,276,800	983,040	1,638,400	3,276,800
	Dual ABS Output		16,384								
One-way positioning accuracy	arc·sec		150	120	120	120	90	90	120	90	90
Enclosure (Note 3)			Totally enclosed self-cooled (IP44)								
Ambient environment specification			Use temperature: 0 to 40°C/Storage temperature: -20 to +60°C, Use humidity and storage humidity: 20 to 80%RH (non-condensing). Free from dust, dirt, metallic powder, corrosive gas, flammable gas, oil mist, and others. Avoid outdoor use or direct sunlight. Altitude: 1,000 m or less Insulation resistance. Motor insulation: 100 MΩ (500 VDC) or higher. Dielectric strength: 1500 VAC/min Insulation class: B								

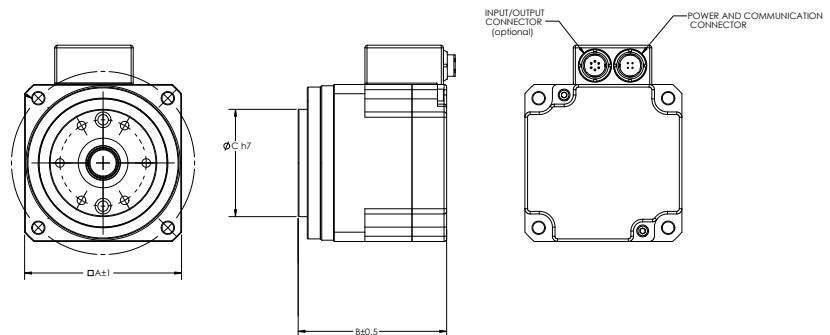
1. The table shows typical output values

2. Motor ABS encoder resolutions are obtained by [motor encoder resolution] x [reduction ratio].

3. All parts, except the rotary sliding parts (oil seal), are protected against solid bodies of dimensions to 1mm, and against the water sprays. Panel mount connectors are IP68.

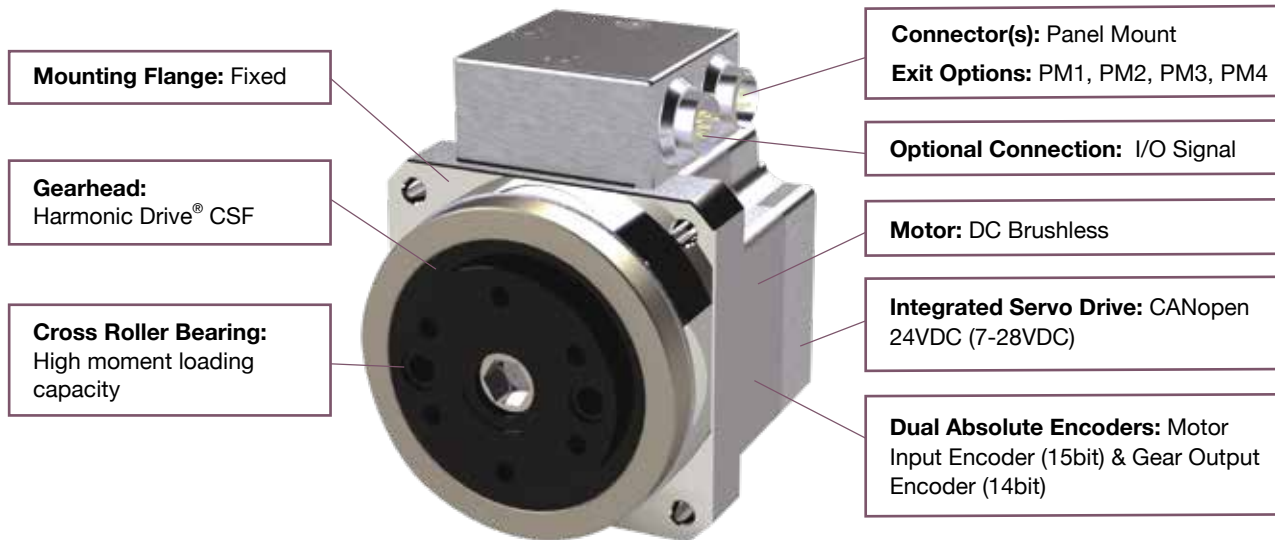
Unit: mm

Model	A	B	øC
FHA-8C	50	51.5	33.5
FHA-11C	60	56.8	41
FHA-14C	75	68	52.5



Brushless Actuators

FHA-C Mini with Integrated Servo Drive



Exit Options



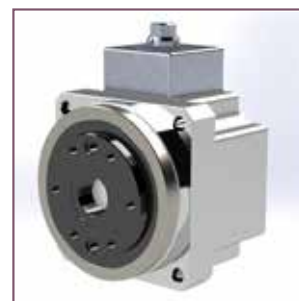
PM1 Rear Exit



PM2 Right Exit



PM3 Left Exit



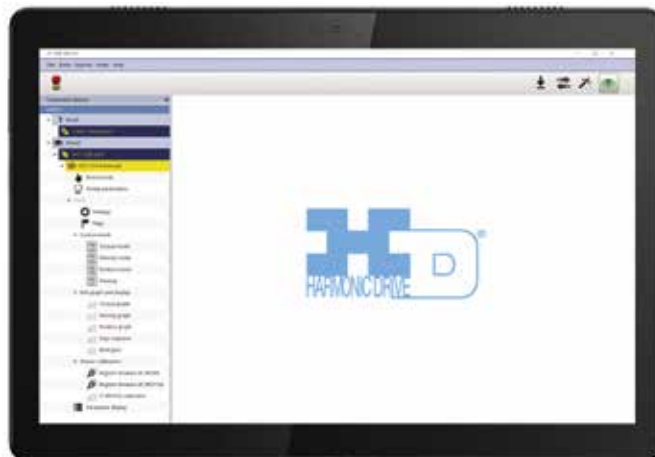
PM4 Top Exit

HDL-IDE 3.0 Software:

HDL-IDE 3.0 software provides the ability to setup or commission the FHA-C Mini Integrated actuator without connecting to a CANopen master controller. A single actuator can connect to a personal computer or laptop with a CAN communication converter and a power supply. All 256 parameters, including the tuning parameters and 256 general user variables can be set and stored to be recognized by the CANopen master controller operating the specific application. The following are some of the features included in HDL-IDE 3.0 software:

Features

- Torque Mode and Graph
- Velocity Mode and Graph
- Position Mode and Graph
- Homing Mode
 - Limit Switch
 - Current Position
 - Hardstop Homing
- Step Response
- Bode Plot
- Parameter List
- Virtual Mode (shown)
- Common Features for all Actuators



Hollow Shaft Brushless Actuators FHA-C Mini Series



These servo actuators utilize Harmonic Drive® precision gears combined with a performance matched brushless servomotor and incremental encoder. The cube shaped form factor is very compact and features a through hole in the center of the shaft (incremental encoder version only).

The FHA-mini series is designed to operate with a wide range of third-party drives, as well as Harmonic Drive LLC's DDP Series and DCJ Series.

- Large center through hole (incremental version only)
- Compact design
- Body width from 50 mm to 75 mm
- Body length from 48.5 mm to 78 mm
- **NEW Option!** A pair of Single Turn Absolute Encoders for Input and Output Sensing
- **NEW Option!** Panel mount connectors

•FHA-C mini Series Ratings

Item		Size/Ratio		FHA-8C			FHA-11C			FHA-14C			
				30	50	100	30	50	100	30	50	100	
Maximum Torque ¹		Nm		1.8	3.3	4.8	4.5	8.3	11	9.0	18	28	
Max. Rotational Speed		rpm		200	120	60	200	120	60	200	120	60	
Torque Constant		100V/200V	Nm/A _{rms}	3.9	6.7	14	3.8	6.6	13	4.2	7.2	15	
		24V	Nm/A _{rms}	0.8	1.3	2.7	0.8	1.3	2.6	0.8	1.4	2.9	
Maximum Current ²		100V/200V	A _{rms}	0.61	0.64	0.48	1.5	1.6	1.1	2.9	3.2	2.4	
		24V	A _{rms}	3.0	3.3	2.4	7.8	8.2	5.6	14.8	16.4	12.3	
Moment of Inertia ³		INC	GD ² /4	kgm ²	0.0026	0.0074	0.029	0.0060	0.017	0.067	0.018	0.050	0.20
		ABS	GD ² /4	kgm ²	0.0026	0.0073	0.029	0.0062	0.017	0.069	0.019	0.054	0.215
		Dual ABS	GD ² /4	kgm ²	0.0036	0.0100	0.0399	0.007	0.019	0.077	0.019	0.052	0.206
Allowable Moment Load		Nm		15			40			75			
Moment Stiffness		Nm/rad		2×10 ⁴			4×10 ⁴			8×10 ⁴			
Encoder resolution of output shaft ⁴		INC	counts/revolution	240,000	400,000	800,000	240,000	400,000	800,000	240,000	400,000	800,000	
		ABS		3,932,160	6,553,600	13,107,200	3,932,160	6,553,600	13,107,200	3,932,160	6,553,600	13,107,200	
		Dual ABS Motor		491,520	819,200	1,638,400	491,520	819,200	1,638,400	491,520	819,200	1,638,400	
		Dual ABS Output		16,384	16,384	16,384	16,384	16,384	16,384	16,384	16,384	16,384	
Input Power Supply		V		24VDC or 100VAC or 200VAC									
Mass		INC	kg	0.40			0.62			1.2			
		ABS		0.50			0.75			1.3			
		Dual ABS		0.40			0.62			1.2			
Protection Structure		Totally enclosed self-cooled type											
Environmental Conditions		Operating temperature 0 to 40°C, storage temperature -20 to 60°C Operating humidity / storage humidity 20 to 80% RH (Do not expose to condensation) No dust, no metal powder, no corrosive gas, no inflammable gas and no oil mist indoor use only No exposure to direct sunshine Altitude 1000m or less Insulation resistance 100M ohm or higher (DC500V), dielectric strength AC1500V/1 min, insulation class B Absolute encoder Anti-magnetism noise: 0.01 tesla											
Mounting Direction		All directions											
Compatible Drives		Incremental (14 wire)	24VDC	DCJ-055-09, DDP-090-09			DCJ-055-18, DDP-090-18			DDP-090-36			
			100V/200VAC	HA-680-4-24			HA-680-6-24						
		Incremental (4 wire serial)	RTL-230-18, REL-230-18										
			HA-800-1										
			REL-230-18										
		Single ABS	REL-230-18										
Dual ABS	24VDC	BEL or BPL-06			BEL or BPL-14			BEL or BPL-30					

* 1: The figures in the table are those at the output shaft.

* 2: Values in combination with HA-800, HA-680, or HA-690 servo drive.

* 3: The inertia moment is the value converted to the output shaft from the total value of the inertia moments of the motor shaft and the Harmonic Drive® gear.

* 4: Output resolution for incremental encoder is calculated by (Motor shaft encoder resolution) x 4 x (Reduction ratio) and for absolute encoder, it is calculated by (Motor shaft encoder resolution) x (Reduction ratio).

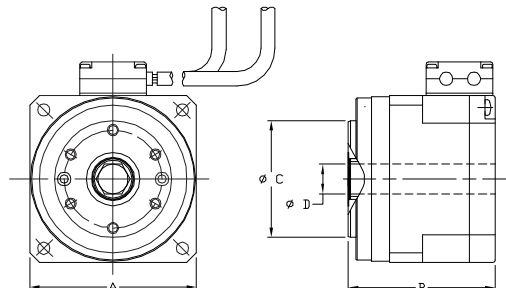
* 5: Please check the actuator rotation direction in our technical data sheet.

NOTE: (INC indicates incremental encoder, ABS indicates absolute encoder, and Dual ABS indicates dual absolute encoders.)

Unit: mm

Model	A	B (INC)	B (ABS)	B (Dual ABS)	øC	øD*
FHA-8C	50	48.5	61.8	49	33.5	6.2
FHA-11C	60	56	68.5	55.5	41	8
FHA-14C	75	66	78	65.5	52.5	13.5

*incremental encoder version only



Hollow Shaft Brushless Actuators

FHA-C Series



These servo actuators utilize Harmonic Drive® precision gears combined with a performance matched brushless servo motor and incremental encoder. The FHA has a low profile form factor and features a hollow shaft through the center of the output. This hollow shaft feature may be used to pass cables, tubing or a laser beam through the axis of rotation.

The FHA series is designed to operate with a wide range of third-party drives, as well as Harmonic Drive LLC's DDP Series and RTL Series.

- High torque
- Large center through hole
- Compact cylindrical design
- New ratios, 80:1 and 120:1 added

•FHA-C Series Ratings

Model		FHA-17C-□□-US250					FHA-25C-□□-US250				
Item		50:1	80:1	100:1	120:1	160:1	50:1	80:1	100:1	120:1	160:1
Reduction ratio		50:1	80:1	100:1	120:1	160:1	50:1	80:1	100:1	120:1	160:1
Maximum torque ^{*1}	Nm	39	51	57	60	64	150	213	230	247	260
Continuous torque ^{**2}	Nm	15	20	24	24	24	35	53	75	85	85
Maximum speed ^{*1}	rpm	96	60	48	40	30	90	56	45	37	28
Maximum current ^{*1}	A _{rms}	2.1	1.7	1.6	1.4	1.1	7.3	6.4	5.6	5.0	4.0
Continuous current ^{**2}	A _{rms}	0.93	0.82	0.74	0.63	0.51	2.1	2.1	2.1	2.0	1.6
Moment of inertia (GD ² /4)	kgm ²	0.17	0.43	0.67	0.97	1.7	0.81	2.1	3.2	4.7	8.3
Allowable moment load	Nm	188					370				
Moment stiffness	Nm/rad	220 x 10 ³					490 x 10 ³				
One-way positional accuracy	arc-sec	60	40	40	40	40	40	30	30	30	30
Encoder resolution of output shaft ^{*4}	counts/revolution	500,000	800,000	1,000,000	1,200,000	1,600,000	500,000	800,000	1,000,000	1,200,000	1,600,000
Weight	kg	2.5					4.0				
Combined drive		HA-800 [*] -3C-200									

Model		FHA-32C-□□-US250					FHA-40C-□□-US250				
Item		50:1	80:1	100:1	120:1	160:1	50:1	80:1	100:1	120:1	160:1
Reduction ratio		50:1	80:1	100:1	120:1	160:1	50:1	80:1	100:1	120:1	160:1
Maximum torque ^{*1}	Nm	281	364	398	432	453	500	659	690	756	820
Continuous torque ^{**2}	Nm	60	95	130	155	200	85	145	190	225	300
Maximum speed ^{*1}	rpm	80	50	40	33	25	70	43	35	29	22
Maximum current ^{*1}	A _{rms}	11.4	9.2	8.0	7.4	5.9	17.3	14.0	11.8	10.9	9.0
Continuous current ^{**2}	A _{rms}	3.1	3.1	3.1	3.1	3.0	4.0	4.0	4.0	3.9	3.8
Moment of inertia (GD ² /4)	kgm ²	1.8	4.5	7.1	10.2	18.1	4.9	12.5	19.5	28.1	50
Allowable moment load	Nm	530					690				
Moment stiffness	Nm/rad	790 x 10 ³					1400 x 10 ³				
One-way positional accuracy	arc-sec	40	30	30	30	30	40	30	30	30	30
Encoder resolution of output shaft ^{*4}	counts/revolution	500,000	800,000	1,000,000	1,200,000	1,600,000	500,000	800,000	1,000,000	1,200,000	1,600,000
Weight	kg	6.5					12				
Combined drive		HA-800 [*] -6C-200									

The values in the table above show typical values for the output shaft.

*1: Typical values when used with HA-800 drive (driven with the ideal sine wave). (Ambient temperature: 25°C)

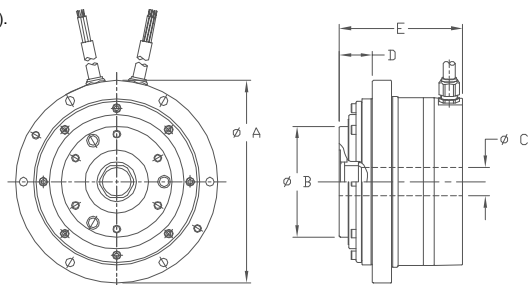
*2: The values for saturated temperature were obtained when installed on an aluminum heatsink (17C: □300 x 15t, 25C: □350 x 18t, 32C: □400 x 20t, 40C: □500 x 25t [mm])

*3: The values of the moment of inertia and weight were obtained while the product is not equipped with a brake.

*4: The output axis resolution is obtained by (Motor shaft encoder resolution multiplied by four) x (Reduction ratio).

Unit: mm

Size Symbol	FHA-17C	FHA-25C	FHA-32C	FHA-40C
øA	128	155	175	230
øB	70	85	105	130
øC	18	32	35	45
D	21	25	22	30
E	78	90.5	111.5	127



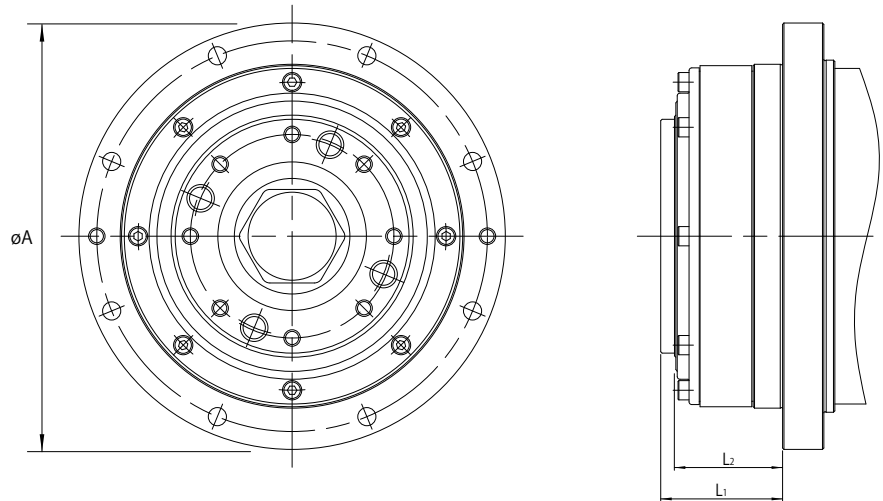
Hollow Shaft Brushless Actuators FHA-C PR Series



FHA-C-PR features improved one way and bi-directional positioning repeatability and is ideal for high-precision rotary positioning. These servo actuators utilize Harmonic Drive® precision gears combined with a performance matched brushless servo motor and incremental encoder. The FHA has a low profile form factor and features a hollow shaft through the center of the output. This hollow shaft feature may be used to pass cables, tubing or a laser beam through the axis of rotation.

The FHA series is designed to operate with a wide range of third-party drives, as well as Harmonic Drive LLC's DDP Series and RTL Series.

- High torque
- Large center through hole
- Compact cylindrical design
- New ratios, 80:1 and 120:1 added



• Dimensions

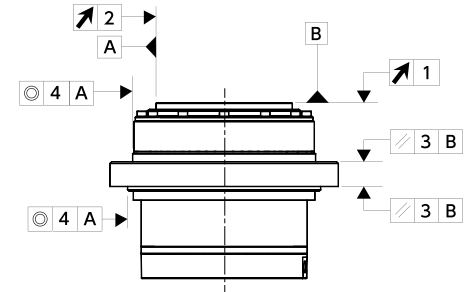
(Unit: mm)

Model	FHA-17C-PR	FHA-25C-PR	FHA-32C-PR	FHA-40C-PR
øA	128	155	175	230
L ₁	35	44.3	46	58.5
L ₂	29.5	39.3	41	51.5

• Mechanical Accuracy

The FHA-C-PR mechanical accuracies of the output shaft and mounting flange are shown below: (Unit: mm)

Feature	FHA-17C-PR	FHA-25C-PR	FHA-32C-PR	FHA-40C-PR
1. Output shaft surface runout	0.010	0.012	0.012	0.014
2. Output shaft axial runout	0.010	0.012	0.012	0.014
3. Parallelism between output shaft and mounted surface	0.040	0.050	0.050	0.060
4. Concentricity of output flange to mounting pilot	0.040	0.050	0.050	0.060



Note: For information on the measurement method, refer to the "FHA-C Series Technical Manual."
Note: Values are based on the Total Indicator Reading (T.I.R.).

Hollow Shaft Brushless Actuators

FHA-C PR Series

		FHA-17C-xx-US250-PR					FHA-25C-xx-US250-PR					FHA-32C-xx-US250-PR					FHA-40C-xx-US250-PR				
		50	80	100	120	160	50	80	100	120	160	50	80	100	120	160	50	80	100	120	160
Maximum torque *1	N·m	39	51	57	60	64	150	213	230	247	260	281	364	398	432	453	500	659	690	756	820
Maximum speed *1	rpm	96	60	48	40	30	90	56	45	37	28	80	50	40	33	25	70	43	35	29	22
Torque constant *1	200 V N·m/A _{rms}	21	33	42	50	67	22	36	45	54	72	27	43	54	64	86	31	51	64	76	102
	100 V N·m/A _{rms}	11	17	21	25	33	11	17	22	26	36	16	26	33	39	52	-	-	-	-	-
Maximum Current *1	200 V A _{rms}	2.1	1.7	1.6	1.4	1.1	7.3	6.4	5.6	5.0	4.0	11.4	9.2	8.0	7.4	5.9	17.3	14.0	11.8	10.9	9.0
	100 V A _{rms}	4.2	3.4	3.2	2.7	2.2	15	13	11	10	8.0	18	16	16	12	12	-	-	-	-	-
EMF voltage constant	200 V V/(rpm)	2.3	3.7	4.7	5.6	7.5	2.5	4.1	5.1	6.1	8.1	3.0	4.8	5.9	7.2	9.5	3.6	5.7	7.2	8.6	11.4
	100 V V/(rpm)	1.2	1.9	2.4	2.8	3.8	1.3	2.0	2.6	2.9	4.1	1.5	2.9	3.0	4.4	4.8	-	-	-	-	-
Phase resistance	200 V Ω (20°C)	7.9					2.6					1.0					0.73				
	100 V Ω (20°C)	2.0					0.65					0.25					-				
Phase inductance	200 V mH	6.0					2.6					1.3					1.5				
	100 V mH	1.5					0.65					0.33					-				
Moment of Inertia	(GD ² /4) kg·m ²	0.21	0.53	0.83	1.2	2.1	0.90	2.3	3.5	5.2	9.2	2.1	5.3	8.2	12	21	5.5	14	22	32	56
	(J) kgf·cm·s ²	2.1	5.4	8.5	12	21	9	23	37	53	94	21	54	84	121	215	56	143	223	321	569
Allowable radial load	kN	2.9					4.9					9.5					14.7				
	kgf	300					500					970					1500				
Allowable axial load	kN	9.8					14.7					24.5					39.2				
	kgf	1000					1500					2500					4000				
Max. moment capacity	N·m	188					370					530					690				
	kgf·m	19					38					54					70				
Moment stiffness	N·m/rad	220 x 10 ³					490 x 10 ³					790 x 10 ³					1400 x 10 ³				
	kgf·m/arc·min	6.5					15					23					42				
One-way positioning accuracy	arc·sec	60	40	40	40	40	40	30	30	30	30	40	30	30	30	30	40	30	30	30	30
One-way repeatability	arc·sec	±5					±5					±4					±4				
Bi-directional repeatability	arc·sec	75	30	30	30	30	60	25	25	25	25	50	20	20	20	20	50	20	20	20	20
Motor encoder		2500 pulse/revolution																			
Encoder resolution of output shaft with quadrature*2	counts/rev	500000	800000	1000000	1200000	1600000	500000	800000	1000000	1200000	1600000	500000	800000	1000000	1200000	1600000	500000	800000	1000000	1200000	1600000
Mass *3	kg	2.8					4.7					7.1					13.6				
Enclosure		Totally enclosed self-cooling type (IP44)																			
Environment conditions		Operating temperature: 0 to 40°C/Storage temperature: -20 to 60°C. Operating humidity/storage humidity: 20 to 80% RH (no condensation). Vibration resistance: 24.5 m/s ² (frequency: 10 to 400 Hz) / shock resistance: 294 m/s ² . Do not expose to dust, metal powder, corrosive gas, flammable gas, or oil mist., Use indoors, and do not expose to direct sunlight., Altitude: 1000 m or lower above sea level																			
Motor insulation		Insulation resistance: 100MΩ or higher (500 VDC), Dielectric strength: 1500 VAC/min, Insulation class: Type F																			
Orientation		All position																			
Combination servo drive	200 V	RTL-230, REL-230, HA-800-3C-200					RTL-230, REL-230, HA-800-3C-200					RTL-230, REL-230, HA-800-6C-200					HA-800-6C-200				
	100 V	RTL-230, REL-230, HA-800-3C-100					RTL-230, REL-230, HA-800-6C-100					RTL-230, REL-230, HA-800-6C-100					-				

The values in the table above show typical values for the output shaft.

*1: They are typical characteristics in the case of combinations with our drive (driven with the ideal sine wave). (Ambient temperature: 25°C)

*2: The output axis resolution is obtained by (Motor shaft encoder resolution multiplied by four) x (Reduction ratio).

*3: Mass (without brake)

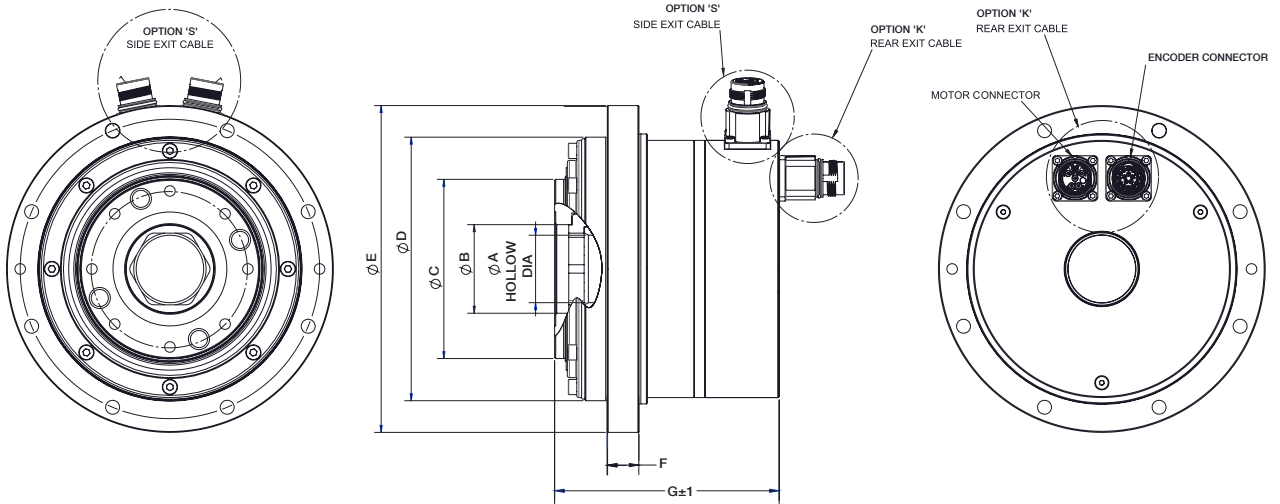
Hollow Shaft Brushless Actuators FHA-C H Series



FHA-C Series servo actuators are now available with IP65 protection. Four sizes are available: 17, 25, 32 and 40. The IP65 rated FHA-C actuator is ideal for harsh environments. With IP65 and 480V, the FHA actuator is well suited for machine tool, packaging, and wash-down applications.

- High torque
- Large center through hole
- Compact cylindrical design
- IP65 Rating
- 480VAC*
- EnDat® & HIPERFACE® Encoder Protocols
- DESINA style flex rated cables

* Contact us for additional voltage options.



• Dimensions

Unit: mm

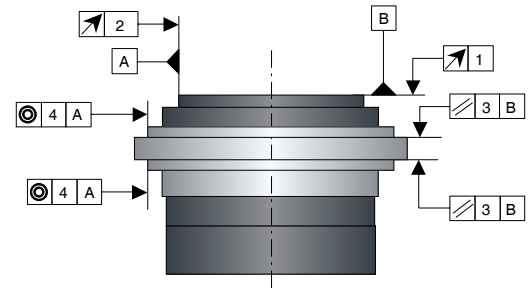
Size Symbol	FHA-17C-H	FHA-25C-H	FHA-32C-H	FHA-40C-H
øA	18	32	35	45
øB H7	25	42	60	60
øC	70	85	105	130
øD	105	125	140	185
øE	128	155	175	230
F	12	15	18	22
G	105.5/121*	106.5/132.5*	129/155*	143.8/164.8*

* with brake

• Mechanical Accuracy

Unit: mm

Feature	FHA-17C-H	FHA-25C-H	FHA-32C-H	FHA40C-H
1. Axial run-out of output flange	0.010	0.012	0.012	0.014
2. Radial run-out of output flange	0.010	0.012	0.012	0.014
3. Parallelism of output flange and mounting flange	0.040	0.050	0.050	0.060
4. Concentricity of output flange to mounting pilot	0.040	0.050	0.050	0.060



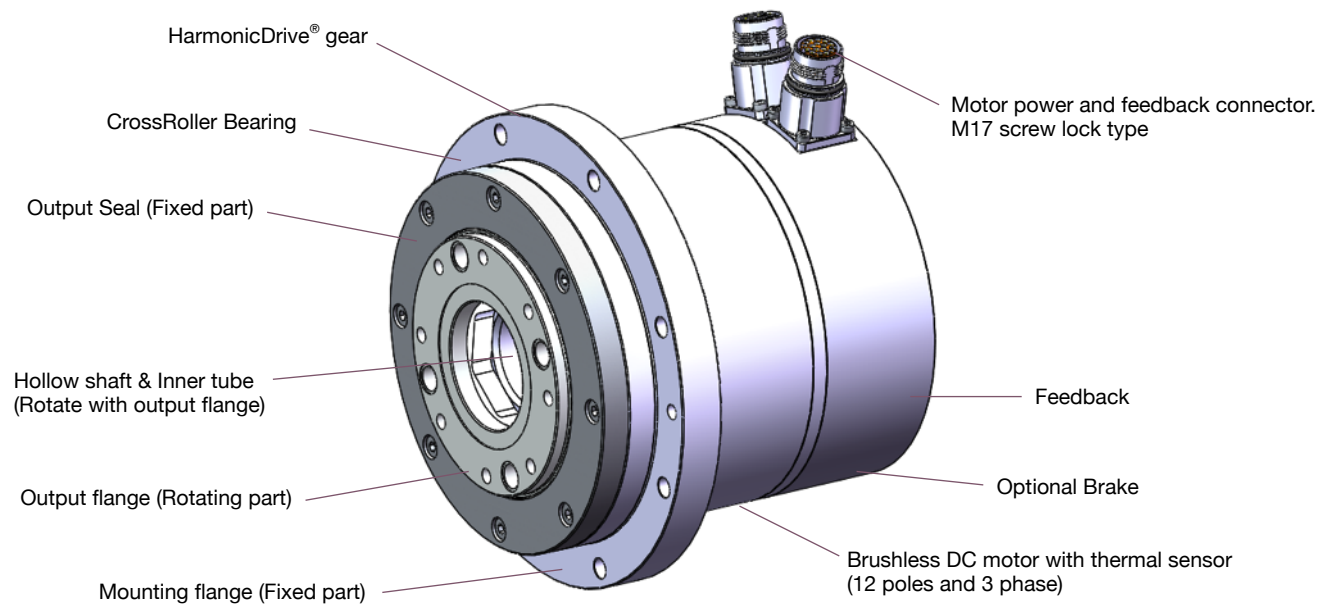
Note: All values are T.I.R. (Total Indicator Reading).

Hollow Shaft Brushless Actuators

FHA-C H Series

Item	Model	Symbol	FHA-17C-H (Bus voltage 680VDC)			FHA-25C-H (Bus voltage 680VDC)			FHA-32C-H (Bus voltage 680VDC)			FHA-40C-H (Bus voltage 680VDC)			
			50	100	160	50	100	160	50	100	160	50	100	160	
Ratio			50	100	160	50	100	160	50	100	160	50	100	160	
Maximum Torque	N·m	TM	39	57	64	151	233	261	281	398	453	500	686	823	
Maximum Current	A_{rms}	IM	1.4	1.1	0.8	3.9	3	2.2	6.5	4.7	3.5	9.3	6.4	5.0	
Continuous Torque	N·m	TC	15	23	23.2	40	72	90	60	153.5	240	90	234	400	
Continuous Current	A_{rms}	IC	0.65	0.55	0.45	1.3	1.3	1.25	2	2	1.9	2.4	2.4	2.4	
Maximum Speed	rpm	NM	96	48	30	90	45	28.1	80	40	25	70	35	21.9	
Torque Constant	N·m/ A_{rms}	KT	37	75	120	42	86	138	49	100	160	59	120	193	
Motor EMF Constant (Line-Line)	$V_{rms}/(krpm)$	V_{EMF}	50			57			67			80			
	$V_{rms}/(rad/s)$		0.48			0.55			0.64			0.77			
Phase Resistance (20°C, Line-Line)	Ω	R	64			22.4			7.8			5.6			
Phase Inductance (Line-Line)	mH	L	42			20			9.8			11.2			
Number of Pole Pairs	p	P	6			6			6			6			
Allowable Axial Load	kN	LA	9.8			14.7			24.5			39.2			
Allowable Radial Load	kN	LR	2.9			4.9			9.5			14.7			
Allowable Moment Load	Nm	LM	188			370			530			690			
Moment Stiffness	N·m/rad		220×10^3			490×10^3			790×10^3			1400×10^3			
One-Way Positional Accuracy	arc·sec		60	40	40	40	30	30	40	30	30	40	30	30	
Feedback Type ^{*1}			Single-turn absolute (EnDat and HIPERFACE) Multi-turn absolute (EnDat)												
Mass	kg	M	3.3			4.6			6.8			10.8			
Mass (with brake)			3.7			5.4			7.7			12.8			
Motor Inertia (without brake) ^{*2}	EnDat	$kg \cdot m^2$	J_A	1.37			3.95			7.63			19.3		
	HIPERFACE			1.44			3.65			7.33			19.3		
Motor Inertia (with brake) ^{*2}	EnDat			1.66			4.84			9.00			21.9		
	HIPERFACE			1.73			4.54			8.69			21.9		

The table shows typical values. *1 Refer to manual for details. *2 Inertia shown in this table is at input side. To convert to output side, multiply the inertia by (ratio)²



Hollow Shaft Brushless Actuators SHA-CG Series



SHA-CG high precision actuators are a great alternative for direct drive motors. SHA-CG actuators offer direct drive motor performance in a compact, significantly lighter package. The SHA-CG offers improved rotary positioning accuracy and a high precision output with surface runout less than 10 microns.

- Alternative to Direct Drive Motors
- High Accuracy Output Bearing
- Available with Mounting Base
- High Torque
- Hollow Shaft Design
- Compact
- Available in 4 sizes

•SHA-CG Series Ratings

Item	Model	SHA20A					SHA25A (Motor voltage 100V)					SHA25A (Motor voltage 200V)				
		50	80	100	120	160	50	80	100	120	160	50	80	100	120	160
Ratio		50	80	100	120	160	50	80	100	120	160	50	80	100	120	160
Maximum Torque ¹	N•m	73	96	107	113	120	127	178	204	217	229	127	178	204	217	229
	in-lb	642	850	947	100	1062	1124	1575	1805	1920	2027	1124	1575	1805	1920	2027
Maximum Rotational Speed	rpm	120	75	60	50	37.5	96	60	48	40	30	112	70	56	46.7	35
Torque Constant	N•m/A _{rms}	16	26	33	39	53	10.9	17.7	22	27	35	19	31	38	46	61
	in-lb/A _{rms}	142	230	292	345	469	97	157	195	239	308	168	274	336	407	540
Maximum Current ¹	A _{rms}	6.1	5	4.6	4.1	3.4	15.1	13.2	12.2	11	9	8.7	7.6	7	6.3	5.2
Moment of Inertia GD ² /4 (without brake) J	kg•m ²	0.21	0.53	0.82	1.2	2.1	0.5	1.3	2	2.9	5.1	0.5	1.3	2	2.9	5.1
	kgf•cm•s ²	2.1	5.4	8	12	22	5.1	13	20	29	52	5.1	13	20	29	52
Moment of Inertia GD ² /4 (with brake) J	kg•m ²	0.23	0.6	0.94	1.3	2.4	0.6	1.5	2.4	3.4	6.1	0.6	1.5	2.4	3.4	6.1
	kgf•cm•s ²	2.4	6.1	9.6	14	24	6.1	16	24	35	62	6.1	16	24	35	62
One-Way Positioning Accuracy	arc•sec	60	50	50	50	50	50	40	40	40	40	50	40	40	40	40
Allowable Moment Load	N•m	187					258					258				
	in-lb	1655					2283					2283				
Moment Stiffness	N•m/rad	25.2×10 ⁴					39.2×10 ⁴					39.2×10 ⁴				
	in-lb/rad	7.5					11.6					11.6				
Output Resolution	Counts/Revolution	6,553,600	10,485,760	13,107,200	15,728,640	20,971,520	6,553,600	10,485,760	13,107,200	15,728,640	20,971,520	6,553,600	10,485,760	13,107,200	15,728,640	20,971,520
Power Supply ²	V	200V					100V					200V				
Mass (without brake)	kg	2.6					3.95					3.95				
Mass (with brake)	kg	2.7					4.1					4.1				
Protection Structure		Enclosed, self-cooled (IP54)														
Environmental Conditions		Operating temperature: 0 to 40°C • Storage temperature: -20 to +60°C. Operating and storage humidity: 20 to 80% RH (No condensation permitted). Vibration resistance : 25m/s ² (frequency: 10 to 400Hz) • Shock resistance: 300m/s ² . Indoor installation: No dust, no metal powder, no corrosive gas, no inflammable gas, no oil mist, no other foreign matter and no direct sunshine. Altitude 1000m or less. Insulation resistance: 100MΩ or higher (DC 500V). Dielectric strength: AC 1500V/1min. Insulation class: Class E														
Recommended Drive		REL-230-18, HA-800-3D/E-200					REL-230-18, REL-230-36, HA-800-6D/E-100 ¹					REL-230-18, REL-230-36, HA-800-3D/E-200				
Encoder Type		Magnetic absolute encoder					Magnetic absolute encoder									

The table shows typical output values of actuators.

¹ Typical specifications when combined with our drives.

² Low voltage option available for sizes 20, 25 and 32.

Hollow Shaft Brushless Actuators

SHA-CG Series

SHA-CG Series Ratings

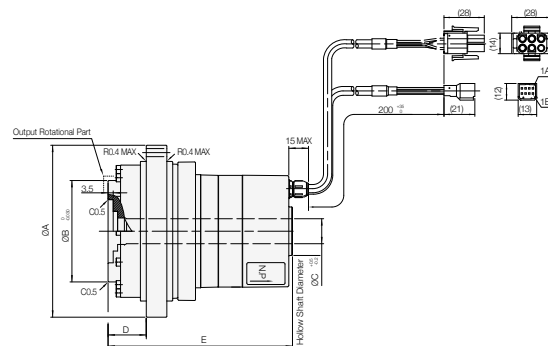
Item	Model	SHA32A					SHA40A				
		50	80	100	120	160	50	80	100	120	160
Ratio		50	80	100	120	160	50	80	100	120	160
Maximum Torque ¹	N·m	281	395	433	459	484	523	675	738	802	841
	in-lb	2487	3496	3832	4062	4283	4629	5974	6531	7098	7443
Maximum Rotational Speed	rpm	96	60	48	40	30	80	50	40	33.3	25
Torque Constant	N·m/A _{rms}	20	33	41	49	66	25	40	50	60	80
	in-lb/A _{rms}	177	292	363	434	584	221	354	443	531	708
Maximum Current ¹	A _{rms}	17.7	15.4	13.7	12.2	10	27.2	22	19.6	18	14.7
Moment of Inertia GD ² /4 (without brake) J	kg·m ²	1.7	4.3	6.7	9.7	17	4.8	12	19	27	49
	kgf·cm ²	17	44	68	99	175	49	124	194	280	497
Moment of Inertia GD ² /4 (with brake) J	kg·m ²	2	5.1	7.9	11	20	5.8	15	23	33	59
	kgf·cm ²	20	52	81	116	207	59	150	235	338	601
One-Way Positioning Accuracy	arc·sec	40	30	30	30	30	40	30	30	30	30
Allowable Moment Load	N·m	580					849				
	in-lb	5133					7514				
Moment Stiffness	N·m/rad	100×10 ⁴					179×10 ⁴				
	in-lb/rad	29.6					53.2				
Output Resolution	Counts/Revolution	6,553,600	10,485,760	13,107,200	15,728,640	20,971,520	6,553,600	10,485,760	13,107,200	15,728,640	20,971,520
Power Supply ²	V	200V					200V				
Mass (without brake)	kg	7.7					13				
Mass (with brake)	kg	8					13.8				
Protection Structure		Enclosed, self-cooled (IP54)									
Environmental Conditions		Operating temperature: 0 to 40°C • Storage temperature: -20 to +60°C. Operating and storage humidity: 20 to 80% RH (No condensation permitted). Vibration resistance : 25m/s ² (frequency: 10 to 400Hz) • Shock resistance: 300m/s ² . Indoor installation: No dust, no metal powder, no corrosive gas, no inflammable gas, no oil mist, no other foreign matter and no direct sunshine. Altitude 1000m or less. Insulation resistance: 100MΩ or higher (DC 500V). Dielectric strength: AC 1500V/1min. Insulation class: Class E									
Recommended Drive		REL-230-18, REL-230-36, HA-800-6D/E-200					REL-230-36, REL-230-40, HA-800-24D/E-200				
Encoder Type		Magnetic absolute encoder					Magnetic absolute encoder				

The table shows typical output values of actuators.

*1 Typical specifications when combined with our drives.

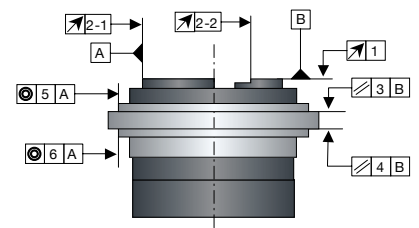
*2 Low voltage option available for sizes 20, 25 and 32.

Size Symbol	Units: mm			
	SHA20A	SHA25A	SHA32A	SHA40A
øA	117	144	175	225
øB	69	84	110	132
øC	17	27	35	45
D	26	28.5	34	40
E	125.5	127.5	144	170



The mechanical accuracies of the output shaft and mounting flange are as follows:

Size Symbol	Units: microns			
	SHA20A	SHA25A	SHA32A	SHA40A
1. Output shaft surface runout	10	10	10	10
2-1. Output shaft axial runout (Outside diameter)	10	10	10	10
2-2. Output shaft axial runout (Inside diameter)	15	15	15	15
3. Parallelism between the output shaft and actuator mounting surface	30	30	35	35
4. Parallelism between the output shaft and actuator mounting surface	40	40	45	45
5. Concentricity between the output shaft and actuator mounting diameter	50	50	55	60
6. Concentricity between the output shaft and actuator mounting diameter	60	60	65	70



Note: All values are T.I.R. (Total Indicator Reading).

Hollow Shaft Brushless Actuators

SHA-SG Series



SHA Series AC Servo Actuators provide high torque and highly accurate rotary operation. These servo actuators utilize Harmonic Drive® precision gears combined with a brushless servomotor and magnetic absolute encoder. The SHA Series is an advanced version of the FHA series AC Servo Actuators, featuring a larger hollow shaft with a smaller, outer diameter.

The SHA Series is designed to operate with REL Series and HA-800 drives.

- High torque
- Compact, slim design
- Large center through hole
- Low voltage winding available for SHA25A
- Size 45 now available

•SHA Series Ratings

Item	Model	SHA20A					SHA25A					SHA32A						
		51	81	101	121	161	11HP	51	81	101	121	161	11HP	51	81	101	121	161
Ratio		51	81	101	121	161	11HP	51	81	101	121	161	11HP	51	81	101	121	161
Maximum Torque ²	N•m	73	96	107	113	120	26	127	178	204	217	229	62	281	395	433	459	484
Maximum Rotational Speed	rpm	117.6	74.1	59.4	49.6	37.3	509.1	109.8	69.1	55.4	46.3	34.8	436.4	94.1	59.3	47.5	39.7	29.8
Torque Constant	N•m/A _{rms}	16.5	27	33	40	53	4.2	19	31	39	46	62	4.5	21	33	42	50	66
Maximum Current ²	A _{rms}	6.0	4.9	4.5	4.0	3.4	8.9	8.6	7.5	7.0	6.3	5.2	19	17.3	15.2	13.5	12.2	9.9
Moment of Inertia GD ² /4 (without brake) J	kg•m ²	0.23	0.58	0.91	1.3	2.3	0.029	0.56	1.42	2.2	3.2	5.6	0.092	2.0	5.1	8.0	11	20
Moment of Inertia GD ² /4 (with brake) J	kg•m ²	0.26	0.65	1.0	1.4	2.6	0.034	0.66	1.66	2.6	3.7	6.6	0.107	2.3	5.9	9.2	13	23
One-Way Positioning Accuracy	arc•sec	60	50	50	50	50	120	50	40	40	40	40	120	50	40	40	40	40
Allowable Moment Load	N•m	187					410	258					932	580				
Moment Stiffness	N•m/rad	25.2 x 10 ⁴					37.4 x 10 ⁴	39.2 x 10 ⁴					86.1 x 10 ⁴	100 x 10 ⁴				
Output Resolution	counts/revolution	6,684,672	10,616,832	13,238,272	15,859,712	21,102,592	1,441,792	6,684,672	10,616,832	13,238,272	15,859,712	21,102,592	1,441,792	6,684,672	10,616,832	13,238,272	15,859,712	21,102,592
Power Supply	V	AC 200					AC 200	AC 100, AC 200, DC 48V-90V					AC 200	AC 200, DC 48V-90V				
Mass (without brake)	kg	2.0					5	2.95					9.4	5.9				
Mass (with brake)	kg	2.1					5.1	3.1					9.7	6.2				
Protection Structure		Totally enclosed self-cooled type (equivalent to IP54)																
Environmental Conditions		Operating temperature: 0 to 40°C • Storage temperature: -20 to +60°C. Operating and storage humidity: 20 to 80% RH (No condensation permitted). Vibration resistance : 25m/s ² (frequency: 10 to 400Hz) • Shock resistance: 300m/s ² . Indoor installation: No dust, no metal powder, no corrosive gas, no inflammable gas, no oil mist, no other foreign matter and no direct sunshine. Altitude 1000m or less. Insulation resistance: 100MΩ or higher (DC 500V). Dielectric strength: AC 1500V/1min. Insulation class: Class E																
Recommended Drive 100VAC		-					-	REL-230-18, REL-230-36					-	-				
Recommended Drive 200VAC		REL-230-18, HA-800-3D					REL-230-18	REL-230-18, HA-800-3D					REL-230-18, REL-230-36, HA-800-6D					

1 The table shows typical output values of actuators.

2 When combined with HA-800 drive.

3 Encoder Type: Magnetic absolute encoder. Single-turn: 2¹⁷ (313,072). Multi-turn: 2¹⁶ (65,536) (Battery back-up).

4 Please refer to the manual for rating details.

Hollow Shaft Brushless Actuators

SHA-SG Series

SHA Series Ratings

Item	Model	SHA40A					SHA45A					SHA58A				SHA65A			
		51	81	101	121	161	51	81	101	121	161	81	101	121	161	81	101	121	161
Ratio		51	81	101	121	161	51	81	101	121	161	81	101	121	161	81	101	121	161
Maximum Torque ²	N•m	523	675	738	802	841	650	918	982	1070	1147	1924	2067	2236	2392	2400	2990	3263	3419
Maximum Rotational Speed	rpm	78.4	49.4	39.6	33.1	24.8	74.5	46.9	37.6	31.4	23.6	37.0	29.7	24.8	18.6	34.6	27.7	23.1	17.4
Torque Constant	N•m/A _{rms}	25	41	51	61	81	25	41	51	61	81	54	68	81	108	54	68	81	108
Maximum Current ²	A _{rms}	26.7	21.8	19.4	17.9	14.6	36.5	29.9	25.9	24.5	19.3	45	39	36	30	55	55	51	41
Moment of Inertia GD ² /4 (without brake) J	kg•m ²	5.0	13	20	28	50	6.8	17	27	38	68	96	149	214	379	110	171	245	433
Moment of Inertia GD ² /4 (with brake) J	kg•m ²	6.1	15	24	34	61	7.9	20	31	45	79	106	165	237	420	120	187	268	475
One-Way Positioning Accuracy	arc•sec	50	40	40	40	40	50	40	40	40	40	40	40	40	40	40	40	40	40
Allowable Moment Load	N•m	849					1127					2,180				2,740			
Moment Stiffness	N•m/rad	179 x 10 ⁴					257x10 ⁴					531 x 10 ⁴				741 x 10 ⁴			
Output Resolution	counts/rev	6,684,672	10,616,832	13,238,272	15,859,712	21,102,592	6684672	10616832	13238272	15859712	21102592	10,616,832	13,238,272	15,859,712	21,102,592	10,616,832	13,238,272	15,859,712	21,102,592
Power Supply	V	AC 200					AC 200					AC 200				AC 200			
Mass (without brake)	kg	9.9					12.4					29.5				37.5			
Mass (with brake)	kg	10.7					13.2					32				40			
Protection Structure		Totally enclosed self-cooled type (equivalent to IP54)																	
Environmental Conditions		Operating temperature: 0 to 40°C • Storage temperature: -20 to +60°C. Operating and storage humidity: 20 to 80% RH (No condensation permitted). Vibration resistance : 25m/s ² (frequency: 10 to 400Hz) • Shock resistance: 300m/s ² . Indoor installation: No dust, no metal powder, no corrosive gas, no inflammable gas, no oil mist, no other foreign matter and no direct sunshine. Altitude 1000m or less. Insulation resistance: 100MΩ or higher (DC 500V). Dielectric strength: AC 1500V/1min. Insulation class: Class E																	
Recommended Drive AC-200V		REL-230-36, REL-230-40					REL-230-36		REL-230-40			-				-			
Recommended Drive		HA-800-24D					HA-800□-24D/E-200					HA-800-24D				HA-800-24D			

1 The table shows typical output values of actuators.

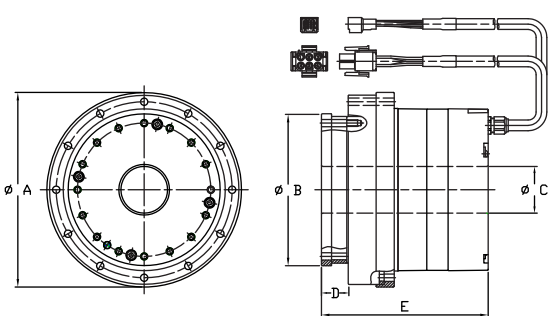
2 When combined with HA-800 drive.

3 Encoder Type: Magnetic absolute encoder. Single-turn: 2¹⁷ (313,072). Multi-turn: 2¹⁶ (65,536) (Battery back-up).

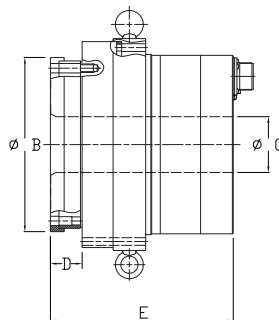
4 Please refer to the manual for detail of ratings.

Units: mm

Size Symbol	SHA20A	SHA25A	SHA32A	SHA40A	SHA45A	SHA58A	SHA65A
øA	94	114	146	175	195	247	284
øB	70	86	114	140	160	203	223
øC	17	27	35	45	45	65	65
D	11.5	15.5	20	26	28	37	42.5
E	103	109	125	148	153.5	213	222



SHA20A, SHA25A, SHA32A, SHA40A, SHA45A



SHA58A, SHA65A

Brushless Actuators FLA Series



The new ultra-flat, ultra-light brushless actuators combine our high-precision/high-performance reducers with a compact, high-output brushless DC motor. FLA actuators are available with our high-speed, high-efficiency Harmonic Planetary® gearhead or with our high-precision, high-torque Harmonic Drive® reducer.

- Ultra-Flat Shape
- Multiple Options Available: Three sizes, three ratios and two voltages
- Light Weight
- Designed to operate with a wide range of third-party servo drives

•FLA Series Ratings

Item		Model	FLA-11A-08HP	FLA-14A-08HP	FLA-17A-09HP	FLA-20A-09HP
Ratio			8	8	9	9
Maximum Torque	N•m		1.8	3.7	7.3	12.1
Allowable Continuous Torque	N•m		0.6	1.2	3	4.1
Maximum Speed	rpm		500	500	500	400
Allowable Continuous Speed	rpm		100	100	100	100
Maximum Current (24VDC)	A _{rms}		8.7	18.0	26.2	31.4
Maximum Current (48VDC)	A _{rms}		4.5	9.6	13.6	17.8
Allowable Continuous Current (24VDC)	A _{rms}		3.0	6.0	10.4	10.7
Allowable Continuous Current (48VDC)	A _{rms}		1.6	3.0	5.3	6
Moment of Inertia (GD ² /4)	kgm ²		0.00013	0.00039	0.001	0.0026
Allowable Moment Load	N•m		1.2	1.6	2.0	2.4
Moment Stiffness	N•m/rad		2.0 x 10 ³	3.3 x 10 ³	4.4 x 10 ³	5.1 x 10 ³
Motor Position Sensor			Hall sensor			
Positioning Resolution per Motor Rotation	counts/rev		30	30	30	48
Output Shaft Resolution	counts/rev		240	240	270	432
Weight	g		390	620	870	1,060
Installation Direction			Fully enclosed self-cooling (IP40) Can be installed in any direction			
Enclosure			Fully enclosed self-cooling (IP40)			

Item		Model	FLA-11A-xxFB		FLA-14A-xxFB		FLA-17A-xxFB		FLA-20A-xxFB
Ratio			50	100	50	100	50	100	50
Maximum Torque	N•m		6.7	11	11.2	18.2	23	34	33
Allowable Continuous Torque	N•m		1.7	2.4	2.6	3.8	7.9	11.4	13
Maximum Speed	rpm		100	50	100	50	100	50	80
Allowable Continuous Speed	rpm		60	30	60	30	60	30	50
Maximum Current (24VDC)	A _{rms}		6.0	5.0	9.7	8.7	18.4	14.3	19.2
Maximum Current (48VDC)	A _{rms}		3.1	2.6	4.8	4.2	9.4	7.2	10.7
Allowable Continuous Current (24VDC)	A _{rms}		1.9	1.7	3.0	2.5	6.8	5.3	8.7
Allowable Continuous Current (48VDC)	A _{rms}		1.0	0.8	1.5	1.2	3.4	2.9	5.1
Moment of Inertia (GD ² /4)	kgm ²		0.0073	0.029	0.019	0.077	0.048	0.19	0.12
Allowable Moment Load	N•m		1.2		1.6		2.0		2.4
Moment Stiffness	N•m/rad		2.0 x 10 ³		3.3 x 10 ³		4.4 x 10 ³		5.1 x 10 ³
Motor Position Sensor			Hall sensor						
Positioning Resolution per Motor Rotation	counts/rev		30		30		30		48
Output Shaft Resolution	counts/rev		1,500	3,000	1,500	3,000	1,500	3,000	2,400
Weight	g		420		720		940		1,170
Installation Direction			Can be installed in any direction						
Enclosure			Fully enclosed self-cooling (IP40)						

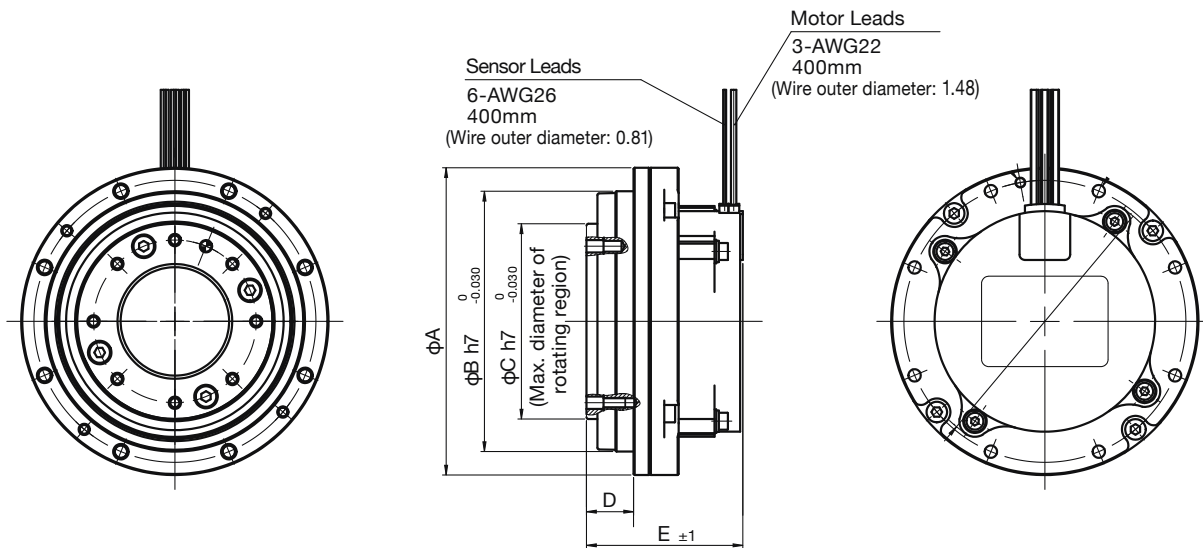
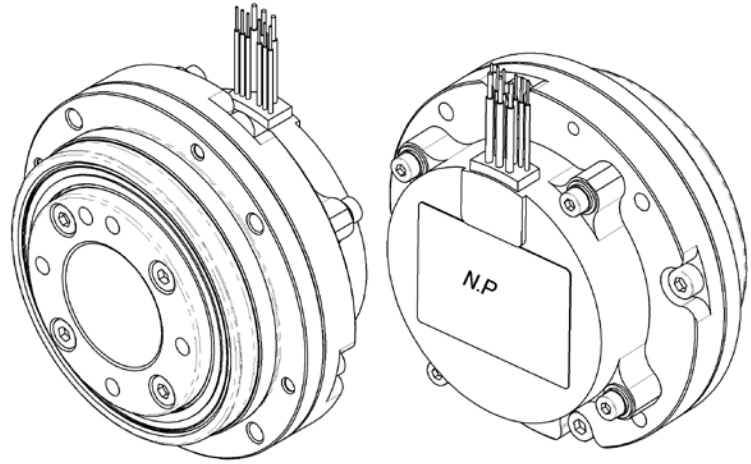
Brushless Actuators FLA Series

MAGNETIC POLE SENSOR LEAD WIRE

COLOR	SIGNAL NAME	DESCRIPTION
WHITE	HU	Hall Sensor Output (U-Phase)
GREEN	HV	Hall Sensor Output (V-Phase)
BLUE	HW	Hall Sensor Output (W-Phase)
RED	+5V	Power Input +5 V
BLACK	0V	Power Input 0 V (GND)
YELLOW	TH	Thermistor Output

MOTOR LEAD WIRE

COLOR	SIGNAL
RED	Motor U-Phase
WHITE	Motor V-Phase
BLACK	Motor W-Phase



• FLA-HP Dimensions

Unit: mm

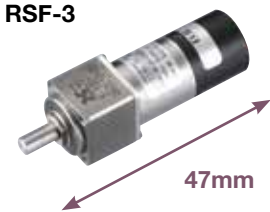
Size Symbol	FLA-11	FLA-14	FLA-17	FLA-20
ϕA	71	85	92	100
ϕB	58	72	79	87
ϕC	43	54	60	64
D	13	13	14	14.5
E	39.8	43.3	48.7	47.8

• FLA-FB Dimensions

Unit: mm

Size Symbol	FLA-11	FLA-14	FLA-17	FLA-20
ϕA	71	85	92	100
ϕB	58	72	79	87
ϕC	43	54	60	64
D	13.5	15	17.1	18.1
E	40.3	45.3	51.8	51.4

Brushless Actuators RSF Supermini Series



RSF-3

47mm

These extremely small servo actuators utilize zero backlash Harmonic Drive® precision gears, a brushless servo motor and an incremental encoder to deliver precision motion control. The RSF Supermini series is designed to operate with a wide range of third party drives as well as Harmonic Drive LLC's DCJ Series, DDP Series and HA680 drives. The units are small enough to fit inside the finger of a robotic hand.

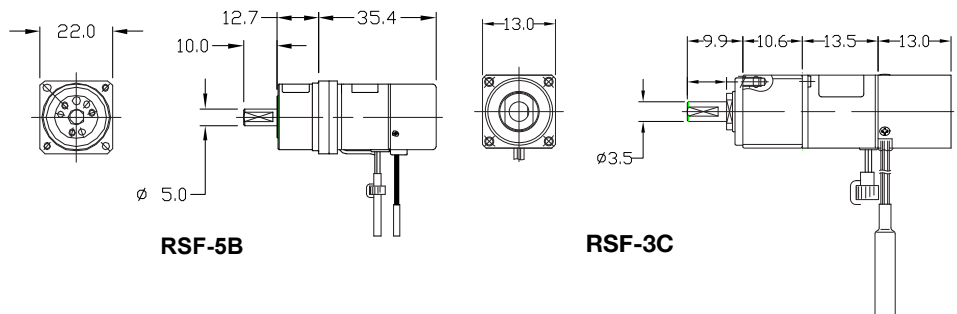
- Compact, lightweight
- High output torque
- High positional accuracy
- RSF-5B is available with an optional brake

•RSF Supermini Series Ratings

Item		Model	RSF-3C			RSF-5B		
			30	50	100	30	50	100
Ratio			30	50	100	30	50	100
Power Supply Voltage (drive)	V		DC24±10%			DC24±10%		
Maximum Continuous Current	A _{rms}		0.65	0.66	0.56	1.11	0.92	0.76
Rated Torque (during operation at allowable)	N•m		0.03	0.07	0.11	0.18	0.29	0.44
	in-lb		0.27	0.62	0.97	1.6	2.6	3.9
Maximum Rotational Speed (output shaft)	rpm		150	90	45	150	90	45
Continuous Stall Torque	N•m		0.04	0.08	0.12	0.28	0.44	0.65
	in-lb		0.35	0.71	1.06	2.5	3.9	5.8
Maximum Instantaneous Current	A _{rms}		1.5	1.4	1.1	2.3	2.2	1.7
Maximum Torque	N•m		0.13	0.21	0.3	0.5	0.9	1.4
	in-lb		1.15	1.86	2.66	4.4	8	12.4
Maximum Speed	rpm		333	200	100	333	200	100
Torque Constant	N•m/A _{rms}		0.11	0.18	0.4	0.3	0.54	1.1
	in-lb/A _{rms}		0.97	1.59	3.54	2.66	4.78	9.74
EMF Constant	V/(rpm)		0.015	0.025	0.05	0.04	0.07	0.13
Phase Resistance (at 20°C)	Ω		1.34			0.82		
Phase Inductance	mH		0.18			0.27		
Moment of Inertia ⁴	GD ² /4	kg•m ²	0.11x10 ⁻⁴	0.29x10 ⁻⁴	1.17x10 ⁻⁴	0.66x10 ⁻⁴ (0.11x10 ⁻³)	1.83x10 ⁻⁴ (0.31x10 ⁻³)	7.31x10 ⁻⁴ (1.23x10 ⁻³)
	J	kgf•cm•s ²	1.07x10 ⁻⁴	2.98x10 ⁻⁴	11.90x10 ⁻⁴	0.67x10 ⁻³ (1.13x10 ⁻³)	1.87x10 ⁻³ (3.15x10 ⁻³)	7.45x10 ⁻³ (12.6x10 ⁻³)
One-Way Positioning Accuracy	arc•sec		600	600	600	240	180	180
Allowable Radial Load (output shaft central value)	N		36			90		
	lbf		8			20		
Allowable Axial Load	N		130			270		
	lbf		29			61		
Encoder Pulses (motor shaft)	Pulse		200			500		
Encoder resolution of output shaft with quadrature ⁵	counts/rev.		24,000	40,000	80,000	60,000	100,000	200,000
Motor Shaft Brake	Input Power Voltage	V	-			DC24±10%		
	Retention Torque	N•m	-			0.18	0.29	0.44
		in-lb	-			0.16	0.26	0.39
Mass ⁶	Without Brake	g	31.0(except clamp filter)			66.0(except clamp filter)		
	With Brake	g	-			86.0(except clamp filter)		
Recommended Drive	DC24V		DCJ-055-09/DDP-090-09			HA-680-4B-24		

Notes:

- 1 The table shows typical output values of actuators.
- 2 The values in the table above are obtained when it is combined with the HA-680-4B-24 drive.
- 3 All values are typical.
- 4 The moment of inertia is the total value of the motor shaft and the gear's moment of inertia values converted to the output side. The values in parentheses are for equipment with a brake.
- 5 The quad encoder resolution is (motor shaft encoder resolution when multiplied by 4) x (gear ratio).
- 6 The weight of clamp filter is 6g each.



Brushless Actuators RSF-Mini Series



These brushless servo actuators utilize zero backlash Harmonic Drive® precision gears for precise motion control. The RSF Mini Series is designed to operate with a wide range of third party drives as well as Harmonic Drive LLC's DCJ Series, DDP Series and HA680 drives.

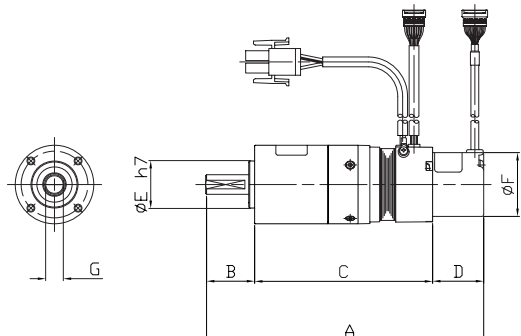
- Exceptional positional accuracy
- Compact design
- High-rotational accuracy
- High resolution

•RSF Mini Series Ratings

Model		RSF-8B			RSF-11B			RSF-14B			
Item		30	50	100	30	50	100	30	50	100	
Ratio		30	50	100	30	50	100	30	50	100	
Power Supply Voltage	V	DC24									
Maximum Torque ³	N•m	1.8	3.3	4.8	4.5	8.3	11	9	18	28	
	in-lb	15.9	29.2	42.5	39.8	73.5	97.4	79.7	159	248	
Maximum Speed ³	rpm	200	120	60	200	120	60	200	120	60	
Maximum Current ³	A _{rms}	3.8	3.9	2.9	14.4	15.8	9.4	14.4	17.2	12.3	
Allowable Continuous Torque ^{3,4}	N•m	0.78	1.4	2.0	1.1	2.0	4.0	1.7	3.0	6.0	
	in-lb	6.9	12.4	17.7	9.7	17.7	35.4	15.0	26.6	53.1	
Allowable Continuous Current ^{3,4}	A _{rms}	2.0	2.0	1.5	5.0	4.9	4.9	4.9	4.7	4.7	
Allowable Continuous Speed ³	rpm	100	60	30	100	60	30	100	60	30	
Torque Constant	N•m/A _{rms}	0.62	1.1	2.1	0.4	0.66	1.5	0.76	1.3	2.6	
EMF Constant	V(rpm)	0.07	0.11	0.22	0.04	0.07	0.15	0.08	0.13	0.28	
Phase Resistance	Ω (25°C)	0.93			0.19			0.23			
Phase Inductance	mH	0.45			0.1			0.19			
Moment of Inertia	GD ² /4	×10 ⁻² k•gm ²	0.06	0.16	0.65	0.18	0.49	2.0	0.41	1.1	4.5
	J	×10 ⁻² kg•cm•s ²	0.6	1.7	6.6	1.8	5.0	20	4.1	11	46
Allowable Radial Load	N	196			245			392			
	lbf	44			55			88			
Allowable Axial Load	N	98			196			392			
	lbf	22			44			88			
One-Way Positioning Accuracy	arc•sec	180	150	150	150	120	120	150	120	120	
Encoder resolution of output shaft with quadrature ⁶	counts/rev	120000	200000	400000	120000	200000	400000	120000	200000	400000	
Mass	kg	0.3			0.5			0.8			
Insulation Class		B									
Insulation Resistance		100M Ω (DC500V) or more									
Withstanding Voltage		AC500V/1 min									
Recommended Drive	DC24V	DCJ-055-09/DDP-090-09/ HA-680-4B-24			DDP-090-36/HA-680-6B-24						

- Notes:
 1 The table shows output values of the actuator.
 2 All specifications are applicable for actuators mounted on an aluminum heat sink of size: 150 x 150 x 6(mm).
 3 Values for saturated actuator temperature. Other values are for actuator temperature of 20°C.
 4 Values are during operation at allowable continuous rotation speed.
 5 All values are typical.
 6 Quad encoder resolution is (motor shaft encoder resolution) x 4 x (gear ratio).
 7 The specifications above are based on using HA-680 drive.

Model	A	B	C	D	ø Eh7	ø F	G
RSF-8B	124.3	21.8	76.5	26	21	32.5	7.5
RSF-11B	141.7	25	90.7	26	24	32.5	9.5
RSF-14B	168.5	28	114.5	26	30	32.5	11.5



Brushless Actuators RSF Series



The RSF series servo actuator combines a high performance brushless servomotor with a high accuracy Harmonic Drive® gearhead. When combined with a performance matched servo drive, the RSF actuator delivers precise, reliable motion control for machines requiring both high torque and long life. The RSF Series is designed to operate with a wide range of third party drives as well as Harmonic Drive LLC's RTL Series, and REL Series.

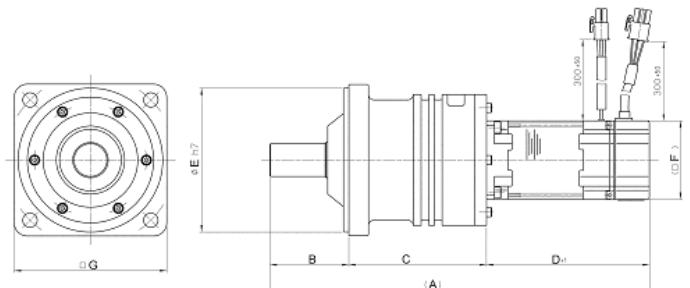
- Zero backlash
- Compact and lightweight
- High power
- High positioning and high rotational accuracy

•RSF Series Ratings

Item	Model	RSF-17		RSF-20A		RSF-25A		RSF-32A	
Ratio		50	100	50	100	50	100	50	100
Rated Output	W	62	62	120	111	180	190	310	310
Power Supply Voltage (drive)	V	AC200V							
Rated Torque	N•m	9.8	20	19	35	29	59	49	98
	in-lb	87	177	168	310	257	522	434	867
Rated Rotational Speed	rpm	60	30	60	30	60	30	60	30
Continuous Stall Torque	N•m	9.8	20	19	35	29	59	49	98
	in-lb	87	177	168	310	257	522	434	867
Max. Momentary Torque	N•m	34	54	56	82	98	157	220	330
	in-lb	301	478	496	726	867	1389	1947	2921
Max. Rotational Speed	rpm	90	45	90	45	90	45	90	45
Moment of Inertia ⁴	(GD ² /4) kg.m ²	0.047	0.19	0.098	0.39	0.19	0.77	0.67	2.7
	(J) kgfcm ²	0.48	1.9	1.0	4.0	2.0	7.9	6.9	27
One-Way Positioning Accuracy	arc•sec	120		90		90		90	
Allowable Radial Load	N	780		1400		2900		4400	
	Lbf	175		315		652		989	
Allowable Axial Load	N	780		1370		2900		4400	
	Lbf	175		308		652		989	
Encoder resolution of output shaft with quadrature ⁵	counts/revolution	400,000	800,000	400,000	800,000	400,000	800,000	400,000	800,000
Mass	kg	2.1		2.9		4.7		8.7	
Recommended Drive	AC200	RTL-230-18, REL-230-18							

Notes:

- 1 The values in the table are those at the output shaft.
- 2 The actuator specification is the value when mounted on the following heatsink plate:
 RSF-17, RSF-20 250 x 250 x 12mm
 RSF-25, RSF-32 300 x 300 x 15mm
- 3 The values are those on temperature rise saturation. The other values are those at 20°C.
- 4 The moment of inertia is the sum of the inertia of the motor and Harmonic Drive® gear reflected at the output shaft.
- 5 Quad Encoder resolution is calculated using (Motor shaft encoder resolution) x 4 x (Reduction ratio).



Unit: mm

Model	A	B	C	D±1	ø Eh7	F	G	Mass(kg)
RSF-17A	210	40	88	82	20	60	76	2.1
RSF-20A	242	48	98	96	85	60	93	2.9
RSF-25A	288.7	60	104.7	124	110	60	116	4.7
RSF-32A	331	80	123	128	130	80	137	8.7

Brushless Actuators RKF Series



The RKF series is a compact servo actuator. It combines a zero backlash Harmonic Drive® gear and an AC servo motor. The RKF Series is designed to operate with a wide range of third party drives as well as Harmonic Drive LLC's RTL Series, and REL Series.

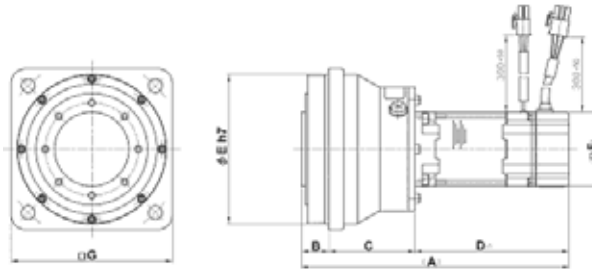
- Compact and lightweight
- High power
- High positioning and high rotational accuracy

•RKF Series Ratings

Item	Model	RKF-20A		RKF-25A		RKF-32A	
Ratio		50	100	50	100	50	100
Rated Output	W	120	111	180	190	310	310
Power Supply Voltage (drive)	V	AC200					
Rated Torque	N•m	19	35	29	59	49	98
	in-lb	168	310	257	522	434	867
Rated Rotational Speed	rpm	60	30	60	30	60	30
Continuous Stall Torque	N•m	19	35	29	59	49	98
	in-lb	168	310	257	522	434	867
Max. Momentary Torque	N•m	56	82	98	157	220	330
	in-lb	496	726	867	1389	1947	2921
Max. Rotational Speed	rpm	90	45	90	45	90	45
Moment of Inertia ⁴	(GD ² /4) kg.m ²	0.098	0.39	0.19	0.77	0.67	2.7
	(J) kgfcm ²	1.0	4.0	2.0	7.9	6.9	27
One-Way Positioning Accuracy	arc•sec	90		90		90	
Allowable Radial Load	N	2000		2500		3900	
	Lbf	450		562		877	
Allowable Axial Load	N	880		1100		1600	
	Lbf	198		247		360	
Encoder resolution of output shaft with quadrature ⁵	counts/revolution	400,000	800,000	400,000	800,000	400,000	800,000
Mass	kg	2.9		5.0		9.5	
Recommended Drive	AC200	RTL-230-18, REL-230-18					

Notes:

- 1 The aforementioned values are those at the output shaft including the Harmonic Drive® gear efficiency.
- 2 The actuator specifications are based on operating when mounted on an aluminum heat sink of the following sizes or its equivalent:
RKF-20 250 x 250 x 12mm
RKF-25, RKF-32 300 x 300 x 15mm
- 3 The values are those on temperature rise saturation. The other values are those at 20°C.
- 4 The moment of inertia is the total of the inertia moments of the motor shaft and Harmonic Drive® gear converted into the output shaft side.
- 5 Quad Encoder resolution is calculated using (Motor shaft encoder resolution) x 4 x (Reduction ratio).



Unit: mm

Model	A	B	C	D±1	ø Eh7	F	G	Mass(kg)
RKF-20A	180	20	64	96	100	60	108	2.9
RKF-25A	215.5	22	69.5	124	120	60	130	5.0
RKF-32A	241	25.5	87.5	128	155	80	165	9.5

DC Servo Actuators RH Mini Series



This RH Mini Series is a DC servo actuator incorporating a Harmonic Drive® precision gear, a high performance brush DC servomotor and an incremental encoder.

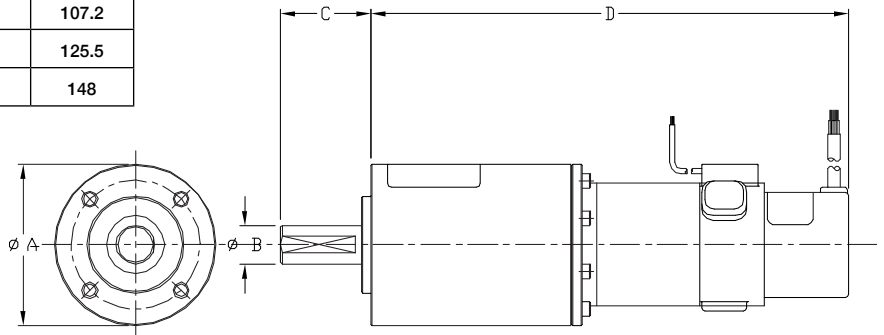
- Zero backlash
- High torque
- High-positional accuracy
- Compact design
- Lightweight
- High powered
- High-precision bearings

•RH Mini Series Ratings

Item		Model	RH-5A			RH-8D		RH-11D		RH-14D	
			8802	5502	4402	6006	3006	6001	3001	6002	3002
Reduction Ratio			50	80	100	50	100	50	100	50	100
Rated Output	W		1.5	1.7	1.4	8.6	6.2	13.6	12.3	20.3	18.5
Rated Voltage	V		12	12	12	24	24	24	24	24	24
Maximum Momentary Torque	N·m		0.39	0.59	0.69	2.7	3.5	4.9	7.8	14	20
	in-lb		3.45	5.22	6.11	23.9	31.0	43.4	60.0	123.9	177.0
Maximum Continuous Stall Torque	N·m		0.24	0.39	0.43	1.5	2.3	2.5	4.4	5.4	7.8
	in-lb		2.12	3.45	3.81	13.3	20.4	22.1	38.9	47.8	69.0
Rated Torque	N·m		0.16	0.29	0.29	1.4	2	2.2	3.9	3.2	5.9
	in-lb		1.42	2.57	2.57	12.4	17.7	19.5	34.5	28.3	52.5
Maximum Positioning Speed	rpm		180	110	90	100	50	100	50	100	50
Rated Positioning Speed	rpm		88	55	44	60	30	60	30	60	30
Maximum Momentary Current	A _{rms}		0.83	0.78	0.77	1.6	1.1	2.4	2.1	5.4	4.1
Rated Current	A _{rms}		0.5	0.5	0.5	1.0	0.8	1.3	1.3	1.8	1.8
Torque Constant	N·m/A _{rms}		0.69	1.11	1.38	2.1	4.2	2.46	4.91	2.92	5.76
	in-lb/A _{rms}		6.1	9.8	12.2	18.6	37.2	21.7	43.5	25.8	51
Moment of Inertia	kg·m ²		6.3x10 ⁻⁴	16x10 ⁻⁴	25x10 ⁻⁴	37x10 ⁻⁴	150x10 ⁻⁴	110x10 ⁻⁴	430x10 ⁻⁴	210x10 ⁻⁴	810x10 ⁻⁴
	kgf·cm·s ²		0.007	0.016	0.026	0.04	0.15	0.11	0.44	0.21	0.83
One-Way Positioning Accuracy	arc·sec		290	290	290	150	150	120	120	120	120
Allowable Axial Load	N		29	29	29	98	98	196	196	392	392
	lbf		7	7	7	22	22	44	44	88	88
Mass	kg		0.09	0.09	0.09	0.3	0.3	0.5	0.5	0.77	0.77
Environmental Conditions	Time constant: Continuous • Protection: Totally closed, self-cooling • Ambient temperature: 0 to 40°C Ambient humidity: 35 to 80% RH (no condensation permitted)										
Recommended Drive	DC 20V	DCJ-055-09, DDP-090-09			-		-		-		
	DC 20V	-			DCJ-055-09, DDP-090-09						

Unit: mm

Model	øA	øB	C	D
RH-5A	20	5	11	78
RH-8D	33	8	21.8	107.2
RH-11D	40	10	25	125.5
RH-14D	50	12	28	148



Direct Drive Motor KDU Series



The KDU Series are Direct Drive Motors which achieve 10 arc•sec positioning accuracy as well as ± 0.5 arc-sec repeatability with a resolution of 0.16 arc•sec. Also, the KDU has a large Hollow Shaft design which allows cables, shafts or lasers to pass through the axis of rotation.

- Exceptional positional accuracy
- Exceptional repeatability
- Ultra high resolution

•KDU Series Ratings

Model		KDU-13SB	KDU-13WB
Item			
Maximum Torque ²	N•m	7.0Nm (62.0 In.lb)	15.0Nm (132.8 In.lb)
Max. Rotational Speed	rpm	127	127
Torque Constant	N•m/A _{rms}	3.1 (26.9 In.lb/A _{rms})	6.5 (56.4 In.lb/A _{rms})
Input Power Supply Voltage	V	AC 100/AC200	
Moment of Inertia	kg.m ²	0.0047	0.0065
Moment Stiffness	N•m/rad	2.4 x 10 ⁵	
Motor Position Sensor	counts/rev	Incremental encoder Square wave : phase A and B: 11,840,000 Z Index Pulse Signal	
Repeatability ³	arc•sec	± 0.5	
Absolute Positioning Accuracy ⁴	arc•sec	10 (Angular position corrected)	
Mass	kg	4.0	5.0
Mounting Direction	-	Output shaft to face upward	
Combined Drive	-	HA-770-2	
Induced Voltage Constant	V/ (rpm)	.033	0.68
Line Resistance	W (20°C)	9.1	14.0
Line Inductance	mH	19	35
Motor Insulation	-	Insulation Resistance: 100 M W more (DC500V) Insulation Strength: AC1500V/1min. Insulation Class: Class B	
Protective Structure ⁵	-	Total-enclosed self-enclosed type (IP 40 or equivalent)	

1 The table above shows output values of output shaft.
 2 The values in the table above are obtained when connected to HA-770 servo drive.
 3 The repeatability and absolute repeatability are the values measured in an environment of 23 \pm 0.3°C in temperature, 50% RH in humidity and with output shaft facing upward in mounting direction. Please contact Harmonic Drive LLC, to inquire about use with different environmental conditions.
 4 Value after angular position of the HA-770 servo drive is corrected.
 5 All parts, except the rotary sliding parts (oil seal), of the actuators are protected against solid bodies of superior dimensions to 1mm, and against the water sprays.

•Direct Drive Motor HA-770 Series

Model	HA-770-2
Rated Current	1.8A
Maximum Current	10A
Power Source Voltage	AC100V~115V(Single-phase) + 10%~-15% 50/60Hz, AC200V~230V (Single-phase) + 10%~-15% 50/60Hz
Position Command Pulse	Line drive system: Maximum response frequency, Two-pulse system, One-pulse system: 1MHz, Two-phase pulse system: 200kHz
Control System	Sine wave PWM system, switching frequency: 25kHz
Control Mode	Position control
Weight	0.8kg

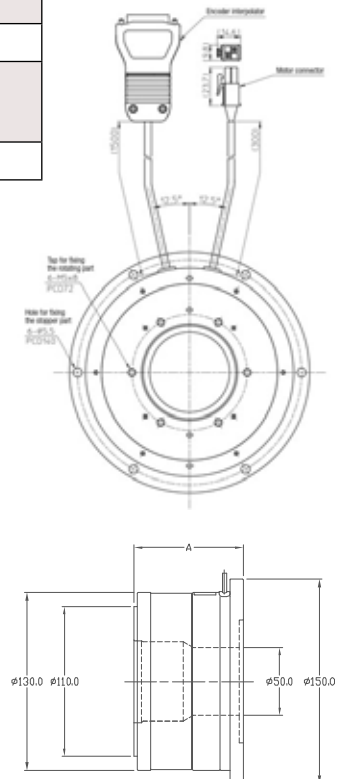


HA-770 Series

•Motor Length

Unit: mm

	KDU-13SB	KDU-13WB
A	80	94



Hollow Shaft Motor HMA Motor



Harmonic Drive LLC offers HMA hollow shaft motors. Hollow shaft design allows cables, shafts or lasers to pass through the axis of rotation.

- Large Hollow Shaft
- 17-bit Absolute Encoder
- Available in 5 frame sizes

•HMA Motor Ratings

Item		Model	HMAC08	HMAB09		HMAB12	HMAB15	HMAA21A
Combined drive			HA-800□-3D-200	HA-800□-3D-200	HA-800□-6D-E-100	HA-800□-6D-E-200	HA-800□-24D-E-200	HA-800□-24D-E-200
Input power supply voltage	V		200	200	100	200	200	200
Rated output	W		163	251		406	754	1320
Instantaneous maximum torque ¹	N•m		1.8	3.0		6.6	13	33
Rated torque ^{1,2}	N•m		0.52	0.80		1.55	3.60	12.6
Maximum speed ¹	rpm		6,000	5,600	4,800	4,800	4,000	3,000
Rated speed	rpm		3,000	3,000		2,500	2,000	1,000
Instantaneous maximum current ¹	A		6.5	8.9	15.4	18	29	55
Rated current ^{1,2}	A _{rms}		2.1	2.5	4.3	4.2	7.8	20.0
Torque constant ¹	N•m/A _{rms}		0.35	0.41	0.24	0.44	0.54	0.72
EMF constant ³	V/(rpm)		0.037	0.043	0.025	0.046	0.057	0.075
Phase resistance (20°C)	Ω		1.43	1.2	0.4	0.33	0.19	0.028
Phase inductance	mH		2.5	3.0	1.0	1.4	1.2	0.29
Moment of Inertia () indicates with brake	GD ² /4	×10 ⁻⁴ kg•m ²	0.734 (0.828)	1.78 (2.16)		6.45 (6.83)	15.8 (19.8)	125 (141)
	J	×10 ⁻⁴ kgf•cm•s ²	7.49 (8.45)	18.2 (22.1)		65.8 (69.7)	161 (202)	1280 (1444)
Allowable radial load (static)	N		800	800		1200	2400	4500
Allowable axial load (static)	N		1900	2400		3600	5000	14000
Rated radial load (At the rated speed)	N		175	185		233	530	1040
Rated axial load (At the rated speed)	N		100	105		130	180	880
Encoder type			Absolute encoder					
Encoder resolution capability	Single turn motor revolution		2 ¹⁷ (131,072)					
	Multi-turn revolution counter ⁴		2 ¹⁶ (65,536)					
Weight () indicates with brake	kg		1.4 (1.5)	2.0 (2.1)		3.4 (3.8)	5.5 (6.2)	17.5 (19.7)

The values in the table above show typical values.

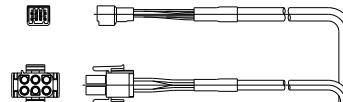
*1: When tested with HA-800.

*2: This is the value for saturated temperature when installed on the next aluminum heatsink of the following size:

HMAC08: 320 x 320 x 16 [mm], HMAB09: 350 x 350 x 18 [mm], HMAB12: 400 x 400 x 20 [mm], HMAB15: 500 x 500 x 25 [mm], HMAA21A: 650 x 650 x 30 [mm]

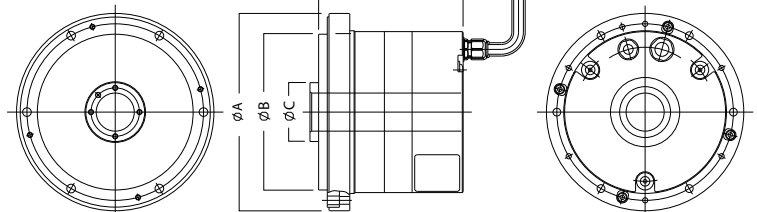
*3: This is the value of the phase EMF constant multiplied by 3.

*4: The range of the multi revolution counter is from -32,768 to 32,767.



Unit: mm

Model	øA	øB h7	øC	D
HMAC08	94	75	16	89
HMAB09	114	90	22	88.5
HMAB12	146	114	30	95.5
HMAB15	175	140	40	110
HMAA21A	247	200	60	157



Precision Linear Actuators LBC Series

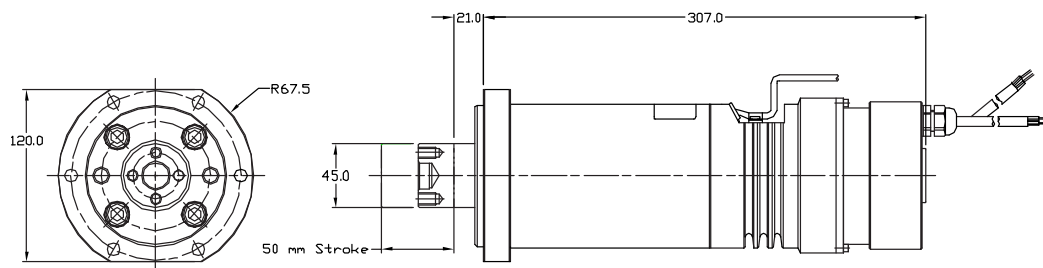


The precision lead screw provides positioning accuracy in the micron range with sub-micron repeatability. The actuator is capable of thrust forces up to 12,000 N. This product is useful for precise positioning of heavy loads or applications where high force is required such as molding equipment or precision presses.


- 12,000 N Force
- 0.32 μm positioning resolution
- Brushless servomotor with incremental encoder
- Integral Limit Switches

•LBC Series Ratings

Model	Item	Drive	Stroke (mm)	Maximum Driving Force (N)	Resolution (μm)	Maximum Speed (mm/s)	Repeatability	Outside Dimensions (mm)	Total length (mm)
LBC-25A-5D6K		Brushless Motor	50	6000	0.32	20	$\pm 5\mu\text{m}$ or less/50mm stroke	$\phi 136$	353
LBC-25A-5D12K		Brushless Motor	50	12000	0.16	10			



Precision Linear Actuators
LA Series

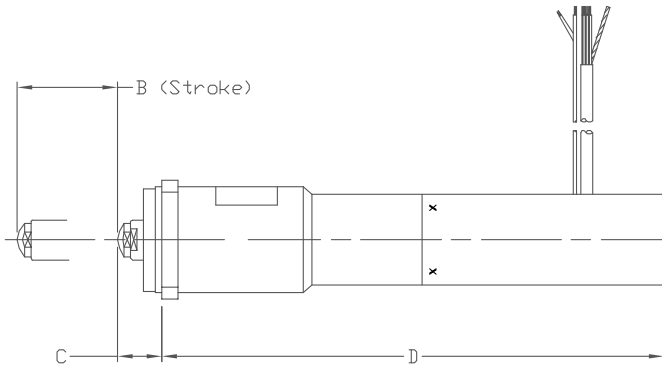
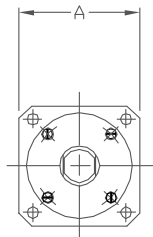
	<p>A precision ball screw provides positioning accuracy better than 2 microns and repeatability of 0.1 microns.</p> <p>This product is well suited for measuring instruments, test and inspection systems, optical equipment, semiconductor and LCD manufacturing equipment.</p> <ul style="list-style-type: none"> • 49 N Force • 2 micron positioning accuracy • Brush DC motor with incremental encoder
---	---

•LA Series Ratings


Item Model	Drive	Stroke (mm)	Maximum Driving Force (N)	Resolution (μm)	Maximum Speed (mm/s)	One-way Positioning Accuracy	Repeatability	Outside Dimensions (mm)	Total length (mm)
LA-30B-10-F	DC motor	10	49	0.0174	0.9	2 μm or less/40 μm stroke	$\pm 0.1\mu\text{m}$ or less/1mm stroke	28	143
LA-32-30-F	DC motor	30	49	0.0174	0.9			36	164

Unit: mm

Size	LA-30B-10F	LA-32-30-F
A	28	36
B(Stroke)	10	30
C	10	13.3
D	133	150.8



LAH Series



LAH-46 LAH-80

A precision ball screw provides positioning accuracy better than 4 microns and repeatability of 1 micron.

This product is well suited for measuring instruments, test and inspection systems, optical equipment, semiconductor and LCD manufacturing equipment.

- 392 to 3000 N Force
- 4 micron positioning accuracy

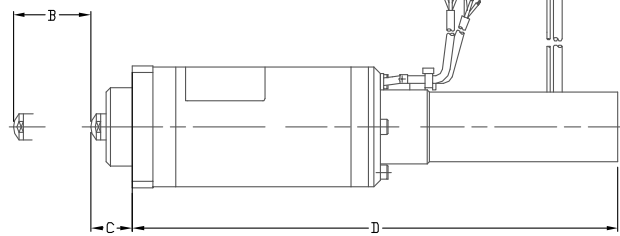
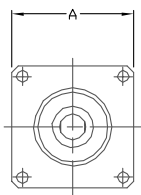
•LAH Series Ratings

Model	Item	Drive	Stroke (mm)	Maximum Driving Force (N)	Resolution (μm)	Maximum Speed (mm/s)	One-way Positioning Accuracy	Repeatability	Outside Dimensions (mm)	Total length (mm)
LAH-46-1002-F		DC motor	10	392	0.069	3.7	4μm or less/.02mm stroke	±0.5μm or less/1mm stroke	47	185
LAH-46-3002-F		DC motor	30	392	0.069	3.7			47	204
LAH-80-5020-F-PA		Stepper motor	50	3000	2	10	4μm or less/2mm stroke	±1μm or less/1mm stroke	85	320

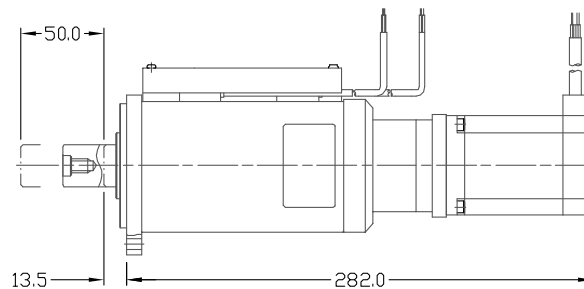
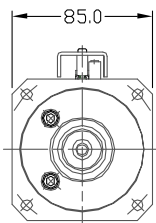
Unit: mm

Model	LAH-46-1002-F	LAH-46-3002-F
Symbol		
A	47	47
B(Stroke)	10	30
C	16	16
D	169	188

LAH-46



LAH-80



Galvano Optical Scanners LSA Series



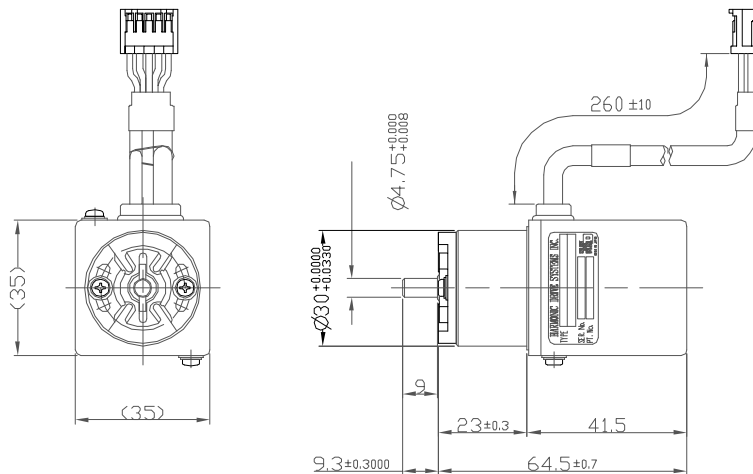
Galvanometric Laser Scanning Actuator. LSA laser scanning actuators are Galvanometric scanners capable of scanning at high speed with high precision. A newly developed optical sensor and our unique moving magnet motors are used in the LSA Series laser scanning actuators

- High response frequency
- High accuracy / repeatability
- Continuous scanning or discrete pointing


•LSA Series Ratings

Item		Model	LSA-10A-30
Maximum Angular Runout	Degrees		±15
Rotor Moment of Inertia	g•cm ²		1.9
Torque Constant	N•m/A _{rms}		0.008
Coil Resistance	Ω		0.28
Coil Inductance	mH		0.098
Sensor Linearity (At full scale)	%		±0.06
Sensor Angle Sensitivity	V/°		0.275
Offset Drift	μrad/°C		25
Scale Drift	%/°C		0.005
Repeatability (Excluding offset/scale drift) ¹	mrad		±5
1°step Response Load Condition: (2g•cm ²)	ms		0.5
Sensor Power Supply	V		5±5%-15±5%
Sensor Power Consumption	5V±5%	mA	90(Max)
	-15V±5%	mA	120(Max)
Weight	g		180

¹ All angles are mechanical angles.



Micro Encoder Series



Available in two sizes, the micro encoders are ultra-miniature, high resolution incremental encoders.

The ultra-micro model

- Dimensions $\phi 7.5 \times 10.5\text{mm}$, Incremental encoder 360 line count
- Output phases: A, B, Z
- Square wave open collector output

The micro model

- Dimensions $\phi 13 \times 20\text{mm}$, Incremental encoder 1000 line count
- Output phases: A, B, Z
- Square wave open collector output
- Hollow shaft is also available

•Micro Encoder Series Ratings

Item	Model	MES-6- <input type="checkbox"/> PC	ME <input type="checkbox"/> -9- <input type="checkbox"/> PC
		Number of Pulses	Shaft Shape *S: Single Shaft *H: Hollow Shaft Number of Pulses
Power Supply		DC5V \pm 10%	DC5V \pm 10%
Current Consumption		30mA or less (under no load)	40mA or less (under no load)
Detection System		Incremental	Incremental
Number of Output Pulses (Standard) [Number of Pulses/Number of Revolutions]		100 200 300 360	100 200 300 360 500 1000
Output Phases		A, B and Z phases	A, B and Z phases
Output Mode		Square wave, open collector output	Square wave, open collector output
Maximum Response Frequency (Number of Response Pulses)		100kHz	100kHz
Output Phase Difference		Difference between A and B Phases $90^{\circ} \pm 45^{\circ}$ ($T/4 \pm T/8$), Z Phase $T \pm T/2$ (See output waveform diagram.)	Difference between A and B Phases $90^{\circ} \pm 45^{\circ}$ ($T/4 \pm T/8$), Z Phase $T \pm T/2$ (See output waveform diagram.)
Permissible Maximum Positioning Speed (Mechanical)		6000rpm	6000rpm
Operating Temperature and Humidity		0°C-60°C RH 35%-90% No condensation permitted	0°C-60°C RH 35%-90% No condensation permitted
Storage Ambient Temperature		-20°C-80°C	-20°C-80°C
Weight		5g	10g

•Model Ordering Code

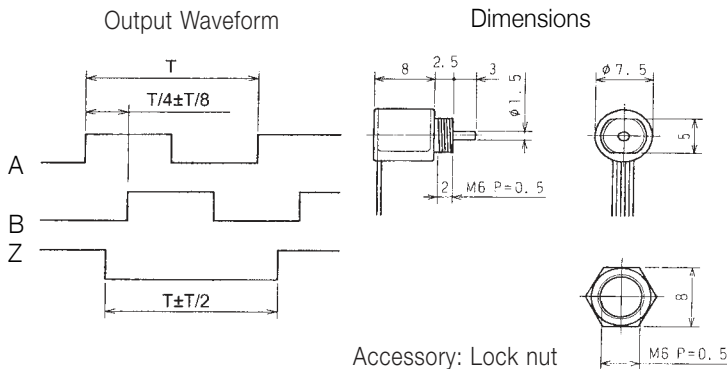
ME- X - X - XXXX PX
 1 2 3 4

- 1 Shaft shape : S, H**
- 2 Size : 6, 9
- 3 Output pulses : 100, 200, 300, 360, 500**, 1000**
- 4 Output circuit : C = Open collector output
None = Voltage output ***

** Hollow shaft feature and line counts of 500 and 1000 are only available in size 9

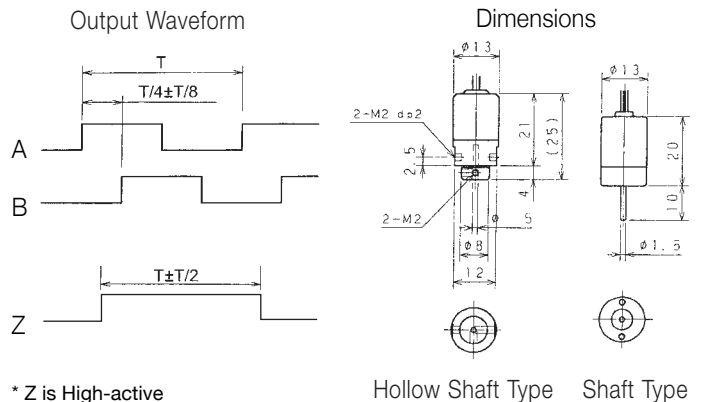
*** Voltage output is only available in size 9.

06 SERIES



* Z is Low-active

09 SERIES



* Z is High-active

Servo Drives



•Servo Drive Specifications

•DC Digital Servo Drive DCJ Series

MODEL	Vdc	Ic (Apk)	Ip (Apk)	Control Modes	Control Interface	Encoder
DCJ-055-09	20-55	3	9	<ul style="list-style-type: none"> · Indexer, Point-to-Point · Camming, Gearing · Position, Velocity, Torque (PVT) 	CANopen/DeviceNet ASCII and discrete I/O, Stepper commands ± 10V position/velocity/torque command PWM velocity/torque command Master encoder (Gearing/Camming)	14 Wire Standard Incremental Encoder Type
DCJ-055-18	20-55	6	18			
DCJ-090-03	20-90	1	3			
DCJ-090-09	20-90	3	9			
DCJ-090-12	20-91	6	12			



•DC Digital Servo Drive DDP Series

MODEL	Vdc	Ic (Apk)	Ip (Apk)	Control Modes	Control Interface	Encoder
DDP-090-09	90	3	9	<ul style="list-style-type: none"> · Indexer, Point-to-Point · Camming, Gearing · Position, Velocity, Torque (PVT) 	CANopen/DeviceNet ASCII and discrete I/O, Stepper commands ± 10V position/velocity/torque command PWM velocity/torque command Master encoder (Gearing/Camming)	14 Wire Standard Incremental Encoder Type
DDP-090-18	90	6	18			
DDP-090-36	90	12	36			
DDP-055-18	55	6	18			
DDP-180-09	180	3	9			
DDP-180-18	180	6	18			



•AC Digital Servo Drive RTL Series

MODEL	Vac	Ic (Apk)	Ip (Apk)	Control Modes	Control Interface	Encoder
RTL-230-18	100-240	6	18	<ul style="list-style-type: none"> · Indexer, Point-to-Point · Camming, Gearing · Position, Velocity, Torque (PVT) 	CANopen/DeviceNet ASCII and discrete I/O, Stepper commands ± 10V position/velocity/torque command PWM velocity/torque command Master encoder (Gearing/Camming)	14 Wire Standard Incremental Encoder Type
RTL-230-36	100-240	12	36			
RTL-230-40	100-240	20	40			



•AC Digital Servo Drive REL Series

MODEL	Vac	Ic (Apk)	Ip (Apk)	Control Modes	Control Interface	Encoder
REL-230-18	100-240	6	18	<ul style="list-style-type: none"> · Indexer, Point-to-Point · Camming, Gearing · Position, Velocity, Torque (PVT) 	CANopen over EtherCAT (CoE) ASCII and discrete I/O, Stepper commands ± 10V position/velocity/torque command PWM velocity/torque command Master encoder (Gearing/Camming)	14 Wire Standard Incremental Encoder Type 4 Wire Serial Communication Incremental Encoder HD Absolute Encoder S Type HD Absolute Encoder A Type Biss-C (multi-turn, Bi-direction) EnDat 2.1/2.2
REL-230-36	100-240	12	36			
REL-230-18	100-240	6	18			
REL-230-36	100-240	12	36			
REL-230-18	100-240	6	18			
REL-230-36	100-240	12	36			
REL-230-18	100-240	6	18			
REL-230-36	100-240	12	36			
REL-230-40	100-240	20	40			



Recommended Drive

•Combinations with Servo Drive and Actuator

•DC Digital Servo Drive DCJ Series

MODEL	Vdc	Ic (Apk)	Ip (Apk)	Supply Voltage	Combination Actuator
DCJ-055-09	20-55	3	9	DC24V	FHA-8C-30 / 50 / 100-US200-E, RSF-8B-30 / 50 / 100-F100-24B, RSF-5A-30 / 50 / 100-US050, RSF-3B-30 / 50 / 100-US020
DCJ-055-18	20-55	6	18		FHA-11C-30 / 50 / 100-US200-E
DCJ-090-03	20-90	1	3		-
DCJ-090-09	20-90	3	9		-
DCJ-090-12	20-90	6	12		-

•DC Digital Servo Drive DDP Series

MODEL	Vdc	Ic (Apk)	Ip (Apk)	Supply Voltage	Combination Actuator
DDP-090-09	90	3	9	DC24V	FHA-8C-30 / 50 / 100-US200-E, RSF-8B-30 / 50 / 100-F100-24B, RSF-5A-30 / 50 / 100-US050, RSF-3B-30 / 50 / 100-US020
DDP-090-18	90	6	18		FHA-11C-30 / 50 / 100-US200-E
DDP-090-36	90	12	36		FHA-14C-30 / 50 / 100-US200-E, FHA-17C50* / 100 / 160-US250-E-SP, RSF-14B-30 / 50 / 100-F100-24B, RSF-11B-30 / 50 / 100-F100-24B
DDP-055-18	55	6	18		-
DDP-180-09	180	3	9		-
DDP-180-18	180	6	18		-

•AC Digital Servo Drive RTL Series

MODEL	Vac	Ic (Apk)	Ip (Apk)	Supply Voltage	Combination Actuator
RTL-230-18	100-240	6	18	AC100/200V	FHA-8C-30 / 50 / 100-US200 / 12S176b / E200, FHA-11C-30 / 50 / 100-US200 / 12S176b / E200, FHA-14C-30 / 50 / 100-US200 / 12S176 / E200
				AC100V	FHA-17C-50 / 100 / 160-US250 / E250 / S248, FHA-25C-100 / 160-US250 / E250 / S248, FHA-32C-160-US250 / E250 / S248
				AC200V	FHA-17C-50 / 100 / 160-US250 / E250 / S248, FHA-25C-100 / 160-US250 / E250 / S248, FHA-32C-160-US250 / E250 / S248, FHA-40C-100 / 160-US250 / E250 / S248
RTL-230-36	100-240	12	36	AC100V	FHA-25C-50-US250 / E250 / S248, FHA-32C-50 / 100-US250 / E250 / S248
				AC200V	FHA-40C-50-US250 / E250 / S248
RTL-230-40	100-240	20	40	AC200V	-

•AC Digital Servo Drive REL Series

MODEL	Vac	Ic (Apk)	Ip (Apk)	Supply Voltage	Combination Actuator
REL-230-18	100-240	6	18	AC100/200V	FHA-8C-30 / 50 / 100-US200 / 12S17b / E200, FHA-11C-30 / 50 / 100-US200 / 12S17b / E200, FHA-14C-30 / 50 / 100-US200 / 12S17b / E200
				AC100V	FHA-17C-50 / 100 / 160-US250 / E250 / S248, FHA-25C-100 / 160-US250 / E250 / S248, FHA-32C-160-US250 / E250 / S248
				AC200V	FHA-17C-50 / 100 / 160-US250 / E250 / S248, FHA-25C-50 / 100 / 160-US250 / E250 / S248, FHA-32C-50 / 100 / 160-US250 / E250 / S248, FHA-40C-100 / 160-US250 / E250 / S248
REL-230-36	100-240	12	36	AC100V	FHA-25C-50-US250 / E250 / S248, FHA-32C-50 / 100-US250 / E250 / S248
				AC200V	FHA-40C-50-US250 / E250 / S248
REL-230-18	100-240	6	18	AC200V	SHA-20SG-51 / 81 / 101 / 121 / 161, SHA-20CG-50 / 80 / 100 / 120 / 160, SHA-25SG-51 / 81 / 101 / 121 / 161, SHA-25CG-50 / 80 / 100 / 120 / 160, SHA-32SG-161, SHA-32CG-160
REL-230-36	100-240	12	36		SHA-32SG-51 / 81 / 101 / 121, SHA-32CG-50 / 80 / 100 / 120, SHA-40SG-121 / 161, SHA-40CG-120 / 160
REL-230-40	100-240	20	40		SHA-40SG-51 / 81 / 101, SHA-40CG-50 / 80 / 100

Cup Type CSF Series



The Harmonic Drive® CSF gears can be directly integrated into your machinery/ equipment. Available in a variety of sizes and ratios, you can select the model that is most suitable for your needs.

- Zero backlash
- Compact design
- High torque capacity
- High torsional stiffness
- High positioning accuracy
- Housed configuration is available (see p. 42)

L_{10} Life: 7,000 h

•CSF Series Ratings

Item Size	Ratio	Rated Torque at 2000rpm		Limit for Repeated Peak Torque		Limit for Momentary Peak Torque	
		Nm	In-lb	Nm	In-lb	Nm	In-lb
8	30	0.9	8	1.8	16	3.3	29
	50	1.8	16	3.3	29	6.6	58
	100	2.4	21	4.8	42	9.0	80
11	30	2.2	19	4.5	40	8.5	75
	50	3.5	31	8.3	73	17	150
	100	5.0	44	11	97	25	221
14	30	4.0	35	9.0	80	17	150
	50	5.4	48	18	159	35	310
	80	7.8	69	23	204	47	416
	100	7.8	69	28	248	54	478
17	30	8.8	78	16	142	30	266
	50	16	142	34	301	70	620
	80	22	195	43	381	87	770
	100	24	212	54	478	108	956
20	120	24	212	54	478	86	761
	30	15	133	27	239	50	443
	50	25	221	56	496	98	867
	80	34	301	74	655	127	1124
	100	40	354	82	726	147	1301
25	120	40	354	87	770	147	1301
	160	40	354	92	814	147	1301
	30	27	239	50	443	95	841
	50	39	345	98	867	186	1646
	80	63	558	137	1212	255	2257
	100	67	593	157	1389	284	2513
32	120	67	593	167	1478	304	2690
	160	67	593	176	1558	314	2779
	30	54	478	100	885	200	1770
	50	76	673	216	1912	382	3381
	80	118	1044	304	2690	568	5027
	100	137	1212	333	2947	647	5726
40	120	137	1212	353	3124	686	6071
	160	137	1212	372	3292	686	6071
	50	137	1212	402	3558	686	6071
	80	206	1823	519	4593	980	8673
40	100	265	2345	568	5027	1080	9558
	120	294	2602	617	5460	1180	10443
	160	294	2602	647	5726	1180	10443

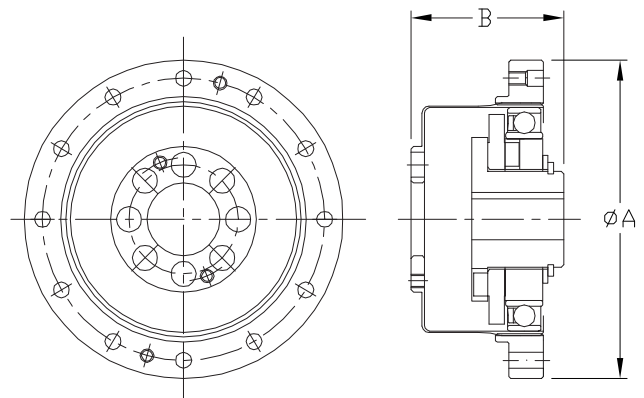
Item Size	Ratio	Rated Torque at 2000rpm		Limit for Repeated Peak Torque		Limit for Momentary Peak Torque	
		Nm	In-lb	Nm	In-lb	Nm	In-lb
45	50	176	1558	500	4425	950	8408
	80	313	2770	706	6248	1270	11240
	100	353	3124	755	6682	1570	13895
	120	402	3558	823	7284	1760	15576
	160	402	3558	882	7806	1910	16904
50	50	245	2168	715	6328	1430	12656
	80	372	3292	941	8328	1860	16461
	100	470	4160	980	8673	2060	18231
	120	529	4682	1080	9558	2060	18231
58	160	529	4682	1180	10443	2450	21683
	50	353	3124	1020	9027	1960	17346
	80	549	4859	1480	13098	2450	21683
	100	696	6160	1590	14072	3180	28143
	120	745	6593	1720	15222	3330	29471
65	160	745	6593	1840	16284	3430	30356
	50	490	4337	1420	12567	2830	25046
	80	745	6593	2110	18674	3720	32922
	100	951	8416	2300	20355	4750	42038
	120	951	8416	2510	22214	4750	42038
80	160	951	8416	2630	23276	4750	42038
	50	872	7717	2440	21594	4870	43100
	80	1320	11682	3430	30356	6590	58322
	100	1700	15045	4220	37347	7910	70004
	120	1990	17612	4590	40622	7910	70004
90	160	1990	17612	4910	43454	7910	70004
	50	1180	10443	3530	31241	6660	58941
	80	1550	13718	3990	35312	7250	64163
	100	2270	20090	5680	50268	9020	79827
	120	2570	22745	6160	54516	9800	86730
100	160	2700	23895	6840	60534	11300	100005
	50	1580	13983	4450	39383	8900	78765
	80	2380	21063	6060	53631	11600	102660
	100	2940	26019	7350	65048	14100	124785
	120	3180	28143	7960	70446	15300	135405
160	3550	31418	9180	81243	15500	137175	

•Dimensions

Unit: mm

Size	8	11	14	17	20	25	32	40
Symbol								
øA	30	40	50	60	70	85	110	135
B	22.1	25.8	28.5	32.5	33.5	37	44	53

Size	45	50	58	65	80	90	100
Symbol							
øA	155	170	195	215	265	300	330
B	58.5	64	75.5	83	101	112.5	125



Cup Type - High Torque CSG Series

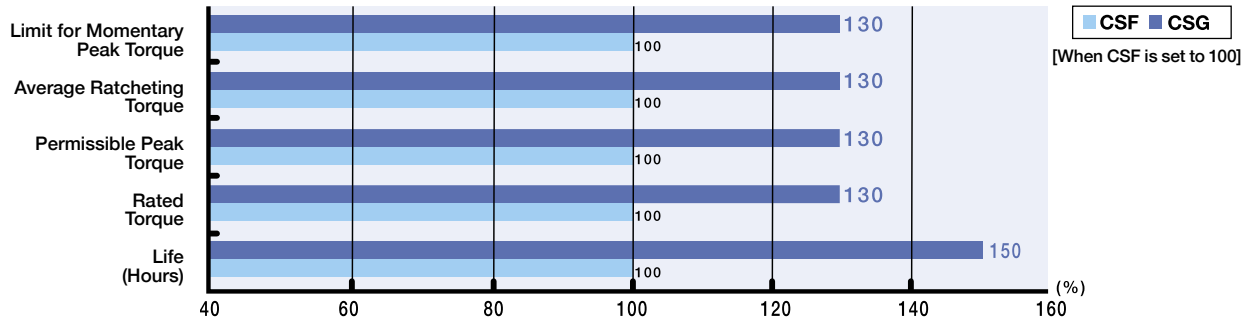


CSG is available in 10 sizes with gear reduction ratios from 50:1 to 160:1. CSG high torque series was based on our CSF standard torque series with the goal of upgrading load capacity, strength & reliability and extending service life.

- Zero backlash
- Compact and simple design
- High torque capacity
- High torsional stiffness
- High positioning accuracy
- Housed unit type is available (see p. 44)
- 30% higher torque than CSF

L_{10} Life: 10,000 h

•Performance comparison of CSF and CSG Series Harmonic Drive® gearing



•CSG Series Ratings

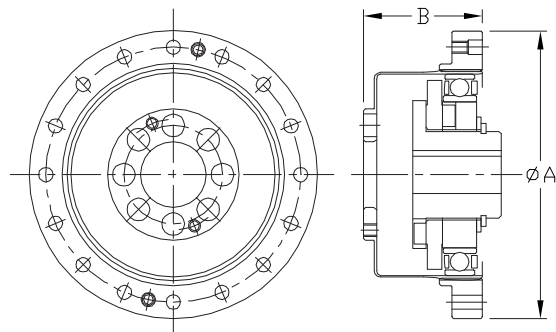
Item Size	Ratio	Rated Torque at 2000rpm		Limit for Repeated Peak Torque		Limit for Momentary Peak Torque	
		Nm	In-lb	Nm	In-lb	Nm	In-lb
14	50	7.0	62	23	204	46	407
	80	10	89	30	266	61	540
	100	10	89	36	319	70	620
17	50	21	186	44	389	91	805
	80	29	257	56	496	113	1000
	100	31	274	70	620	143	1266
20	50	33	292	73	646	127	1124
	80	44	389	96	850	165	1460
	100	52	460	107	947	191	1690
25	50	51	451	127	1124	242	2142
	80	82	726	178	1575	332	2938
	100	87	770	204	1805	369	3266
32	50	99	876	281	2487	497	4398
	80	153	1354	395	3496	738	6531
	100	178	1575	433	3832	841	7443

Item Size	Ratio	Rated Torque at 2000rpm		Limit for Repeated Peak Torque		Limit for Momentary Peak Torque	
		Nm	In-lb	Nm	In-lb	Nm	In-lb
40	50	178	1575	523	4629	892	7894
	80	268	2372	675	5974	1270	11240
	100	345	3053	738	6531	1400	12390
	120	382	3381	802	7098	1530	13541
45	50	229	2027	650	5753	1235	10930
	80	407	3602	918	8124	1651	14611
	100	459	4062	982	8691	2041	18063
	120	523	4629	1070	9470	2288	20249
50	50	229	2027	650	5753	1235	10930
	80	407	3602	918	8124	1651	14611
	100	459	4062	982	8691	2041	18063
	120	523	4629	1070	9470	2288	20249
58	80	714	6319	1924	17027	3185	28187
	100	905	8009	2067	18293	4134	36586
	120	969	8576	2236	19789	4329	38312
	160	969	8576	2392	21169	4459	39462
65	80	969	8576	2743	24276	4836	42799
	100	1236	10939	2990	26462	6175	54649
	120	1236	10939	3263	28878	6175	54649
	160	1236	10939	3419	30258	6175	54649

•Dimensions

Size	14	17	20	25	32	40	45	50	58	65
Symbol										
ϕA	50	60	70	85	110	135	155	170	195	215
B	28.5	32.5	33.5	37	44	53	58.5	64	75.5	83

Unit: mm



Cup Type - Super Flat
CSD Series



The ultra-flat CSD precision gears are available in seven sizes, opening up new applications for motion control speed reducers.

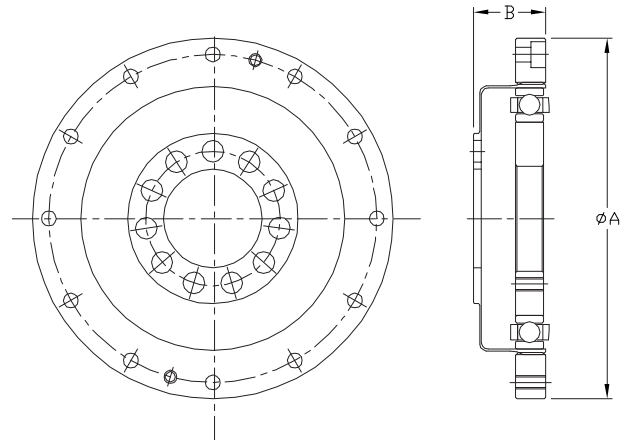
- Zero backlash
- Extremely high positioning accuracy
- Excellent Repeatability
- Superior axial compactness
- Hollow through bore, also available with extra large through bore

L₁₀ Life: 7,000 h

•CSD Series Ratings

Item Size	Ratio	Rated Torque at 2000 rpm	Limit for Repeated Peak Torque	Limit for Momentary Peak Torque
		Nm	Nm	Nm
14	50	3.7	12	24
	80	5.4	16	31
	100	5.4	19	31
17	50	11	23	48
	80	15	29	55
	100	16	37	55
	120	16	37	55
20	50	17	39	69
	80	24	51	76 (65)
	100	28	57	76 (65)
	120	28	60	76 (65)
25	50	27	69	127
	80	44	96	152 (135)
	100	47	110	152 (135)
	120	47	117	152 (135)
32	50	53	151	268
	80	83	213	359 (331)
	100	96	233	359 (331)
	120	96	247	359 (331)
40	50	96	281	480
	80	144	364	685 (580)
	100	185	398	694 (580)
	120	205	432	694 (580)
50	50	172	500	1000
	80	260	659	1300
	100	329	686	1440 (1315)
	120	370	756	1441

Note: Values in (parenthesis) are for Big Bore (BB) version

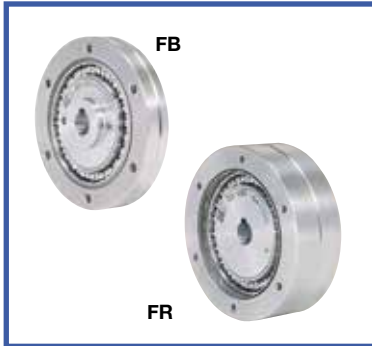


•Dimensions

Unit: mm

Size Symbol	14	17	20	25	32	40	50
ø A	50	60	70	85	110	135	170
B	11	12.5	14	17	22	27	33

FB and FR Series



Pancake gears consist of four main parts: Wave Generator, Flexspline, Dynamic Spline, and Circular Spline. Extremely flat, these pancake gears offer the design engineer high ratios in extremely compact configurations.

- Flat profile
- Easily adapted to customer supplied assembly
- FB uses single wave generator bearing
- FR is heavy duty version of the FB
- FR uses double wave generator bearing

L_{10} Life: 3,000 h

•FB, FR Series Ratings

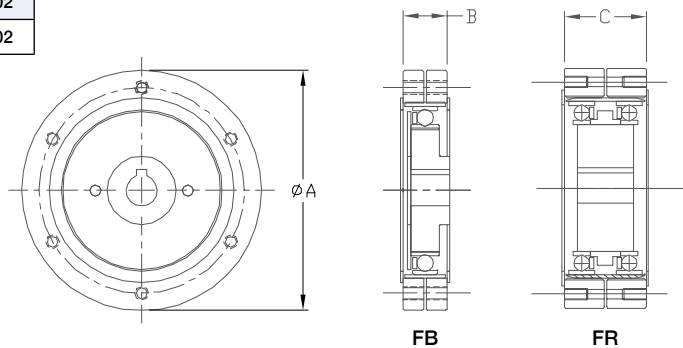
Size	Ratio	Rated Torque at 2000 rpm			
		FB Series		FR Series	
		Nm	In-lb	Nm	In-lb
14	50	2.6	23	4.4	39
	88	4.9	43	5.9	52
	100	5.9	52	7.8	69
	110	5.9	52	7.8	69
20	50	14	124	25	221
	80	17	150	34	301
	100	22	195	40	354
	128	24	212	40	354
	160	24	212	40	354
25	50	23	204	39	345
	80	31	274	56	496
	100	39	345	67	593
	120	39	345	67	593
	160	39	345	67	593
	200	-	-	67	593
32	50	44	389	76	673
	78	63	558	108	956
	100	82	726	137	1212
	131	82	726	137	1212
	157	82	726	137	1212
	200	-	-	137	1212
	260	-	-	137	1212
	260	-	-	137	1212
40	50	88	779	137	1212
	80	118	1044	196	1735
	100	157	1389	255	2257
	128	167	1478	294	2602
	160	167	1478	294	2602
	200	-	-	294	2602
	258	-	-	294	2602

Size	Ratio	Rated Torque at 2000 rpm			
		FB Series		FR Series	
		Nm	In-lb	Nm	In-lb
50	80	216	1912	363	3213
	100	284	2513	470	4160
	120	304	2690	559	4947
	160	304	2690	559	4947
	200	-	-	559	4947
	242	-	-	559	4947
65	78	-	-	745	6593
	104	-	-	1070	9470
	132	-	-	1070	9470
	158	-	-	1070	9470
	208	-	-	1070	9470
80	260	-	-	1070	9470
	80	-	-	1320	11682
	96	-	-	1660	14691
	128	-	-	2300	20355
	160	-	-	2350	20798
	194	-	-	2350	20798
	258	-	-	2350	20798
	320	-	-	2350	20798
100	80	-	-	2330	20621
	100	-	-	3200	28320
	120	-	-	3890	34427
	160	-	-	4470	39560
	200	-	-	4470	39560
	242	-	-	4470	39560
	320	-	-	4470	39560

•Dimensions

Unit: mm

Size	Symbol	FB	FR
	ØA	B	C
14	50	10.5	18
20	70	12.5	25
25	85	16.5	29
32	110	20.5	37
40	135	27.0	43
50	170	33.0	53
65	215	-	71
80	265	-	83
100	330	-	101



Silk Hat SHF Series



SHF is a silk hat, component set gear available with a large hollow through bore. It provides exceptional positioning accuracy in a compact design.

- Zero backlash
- Hollow bore units available
- Compact and simple design
- High torque capacity
- High positioning accuracy
- High torsional stiffness

L_{10} Life: 7,000 h

•SHF Series Ratings

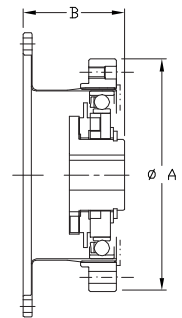
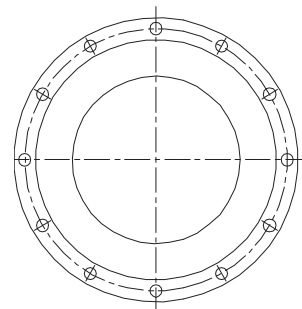
Item Size	Ratio	Rated Torque at 2000rpm		Limit for Repeated Peak Torque		Limit for Momentary Peak Torque	
		Nm	In-lb	Nm	In-lb	Nm	In-lb
14	30	4.0	35	9.0	80	17	150
	50	5.4	48	18	159	35	310
	80	7.8	69	23	204	47	416
	100	7.8	69	28	248	54	478
17	30	8.8	78	16	142	30	266
	50	16	142	34	301	70	620
	80	22	195	43	381	87	770
	100	24	212	54	478	110	974
20	30	15	133	27	239	50	443
	50	25	221	56	496	98	867
	80	34	301	74	655	127	1124
	100	40	354	82	726	147	1301
25	30	27	239	50	443	95	841
	50	39	345	98	867	86	1646
	80	63	558	137	1212	255	2257
	100	67	593	157	1389	284	2513
32	30	54	478	100	885	200	1770
	50	76	673	216	1912	382	3381
	80	118	1044	230	2036	568	5027
	100	137	1212	333	2947	647	5726
40	30	137	1212	333	2947	647	5726
	50	137	1212	353	3124	686	6071
	80	137	1212	372	3292	686	6071
	100	137	1212	372	3292	686	6071

Item Size	Ratio	Rated Torque at 2000rpm		Limit for Repeated Peak Torque		Limit for Momentary Peak Torque	
		Nm	In-lb	Nm	In-lb	Nm	In-lb
40	50	137	1212	402	3558	686	6071
	80	206	1823	519	4593	980	8673
	100	265	2345	568	5027	1080	9558
	120	294	2602	617	5460	1180	10443
45	50	176	1558	500	4425	950	8408
	80	313	2770	706	6248	1270	11240
	100	353	3124	755	6682	1570	13895
	120	402	3558	823	7284	1760	15576
50	50	245	2168	715	6328	1430	12656
	80	372	3292	941	8328	1860	16461
	100	470	4160	980	8673	2060	18231
	120	529	4682	1080	9558	2060	18231
58	50	353	3124	1020	9027	1960	17346
	80	549	4859	1480	13098	2450	21683
	100	696	6160	1590	14072	3180	28143
	120	745	6593	1720	15222	3330	29471
64	50	478	4248	1380	12288	2660	23586
	80	717	6372	2080	18576	4000	35436
	100	896	7936	2600	23040	5000	44400
	120	1000	8880	2900	25680	5600	49440

•Dimensions

Unit: mm

Size	14	17	20	25	32	40	45	50	58
Symbol									
ϕA	50	60	70	85	110	135	155	170	195
B	28.5	32.5	33.5	37	44	53	58.5	64	75.5



Silk Hat - High Torque
SHG Series

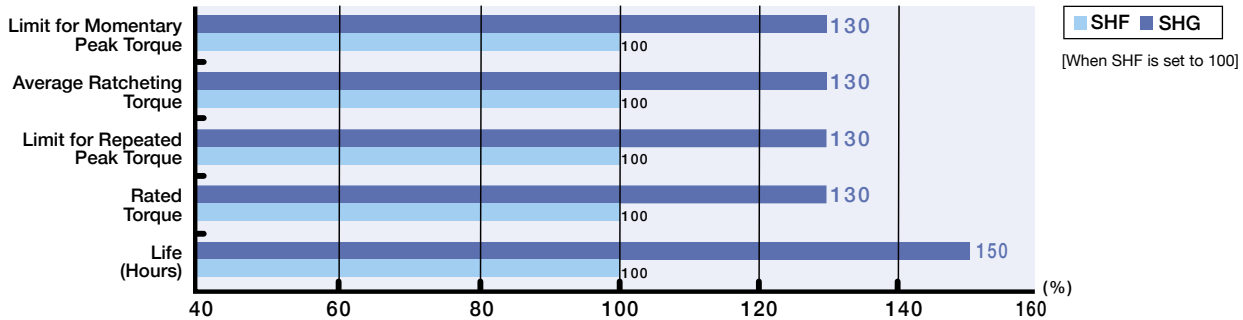


SHG is a high torque, silk hat, component set gear available with a large hollow through bore. It provides exceptional positioning accuracy in a compact design.

- Zero backlash
- Hollow bore units available
- Excellent positioning accuracy
- Compact and simple design
- High torque capacity
- High torsional stiffness
- 30% higher torque rating than SHF series

L_{10} Life: 10,000 h

•Performance comparison of SHF and SHG Series Harmonic Drive® gearing



•SHG Series Ratings

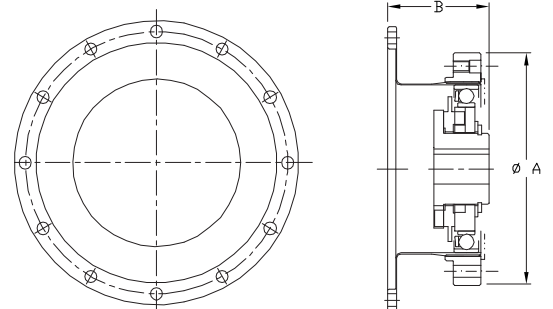
Item	Ratio	Rated Torque at 2000rpm		Limit for Repeated Peak Torque		Limit for Momentary Peak Torque	
		Nm	In-lb	Nm	In-lb	Nm	In-lb
14	50	7.0	62	23	204	46	407
	80	10	89	30	266	61	540
	100	10	89	36	319	70	620
17	50	21	186	44	389	91	805
	80	29	257	56	496	113	1000
	100	31	274	70	620	143	1266
20	50	33	292	73	646	127	1124
	80	44	389	96	850	165	1460
	100	52	460	107	947	191	1690
25	50	51	451	127	1124	242	2142
	80	82	726	178	1575	332	2938
	100	87	770	204	1805	369	3266
32	50	99	876	281	2487	497	4398
	80	153	1354	395	3496	738	6531
	100	178	1575	433	3832	841	7443

Item	Ratio	Rated Torque at 2000rpm		Limit for Repeated Peak Torque		Limit for Momentary Peak Torque	
		Nm	In-lb	Nm	In-lb	Nm	In-lb
40	50	178	1575	523	4629	892	7894
	80	268	2372	675	5974	1270	11240
	100	345	3053	738	6531	1400	12390
	120	382	3381	802	7098	1530	13541
45	50	229	2027	650	5753	1235	10930
	80	407	3602	918	8124	1651	14611
	100	459	4062	982	8691	2041	18063
	120	523	4629	1070	9470	2288	20249
50	50	484	4283	1223	10824	2418	21399
	80	611	5407	1274	11275	2678	23700
	100	688	6089	1404	12425	2678	23700
	120	688	6089	1534	13576	3185	28187
58	80	714	6319	1924	17027	3185	28187
	100	905	8009	2067	18293	4134	36586
	120	969	8576	2236	19789	4329	38312
	160	969	8576	2392	21169	4459	39462
65	80	969	8576	2743	24276	4836	42799
	100	1236	10939	2990	26462	6175	54649
	120	1236	10939	3263	28878	6175	54649
	160	1236	10939	3419	30258	6175	54649

•Dimensions

Unit: mm

Size	14	17	20	25	32	40	45	50	58	65
Symbol										
øA	50	60	70	85	110	135	155	170	195	215
B	28.5	32.5	33.5	37	44	53	58.5	64	75.5	83



Gear Unit

CSF-2UH Series



CSF-2UH is a housed component gear set combined with a precision cross roller output bearing & flange. It is a very compact, robust and easy to use gearhead solution.

- Zero backlash
- Compact and simple design
- High torque capacity
- High torsional stiffness
- High positioning accuracy

L_{10} Life: 7,000h

•CSF-2UH Series Ratings

Item	Ratio	Rated Torque at 2000rpm		Limit for Repeated Peak Torque		Limit for Momentary Peak Torque	
		Nm	In-lb	Nm	In-lb	Nm	In-lb
14	30	4.0	35	9.0	80	17	150
	50	5.4	48	18	159	35	310
	100	7.8	69	23	204	47	416
17	30	8.8	78	6	142	30	266
	50	16	142	34	301	70	620
	100	22	195	43	381	87	770
20	30	15	133	27	239	50	443
	50	25	221	56	496	98	867
	100	34	301	74	655	127	1124
25	30	27	239	50	443	95	841
	50	39	345	98	867	186	1646
	100	63	558	137	1212	255	2257
32	30	54	478	100	885	200	1770
	50	76	673	216	1912	382	3381
	100	118	1044	304	2036	568	5027

Item	Ratio	Rated Torque at 2000rpm		Limit for Repeated Peak Torque		Limit for Momentary Peak Torque	
		Nm	In-lb	Nm	In-lb	Nm	In-lb
40	50	137	1212	402	3558	686	6072
	80	206	1823	519	4593	980	8674
	100	265	2345	588	5027	1080	9559
45	120	294	2602	617	5460	1180	10444
	160	294	2602	647	5726	1180	10444
	50	176	1558	500	4425	950	8408
50	80	313	2770	706	6248	1270	11240
	100	353	3124	755	6682	1570	13896
	120	402	3558	823	7284	1760	15577
58	160	402	3558	882	7806	1910	16905
	50	245	2168	715	6328	1430	12657
	80	372	3292	941	8328	1860	16462
65	100	470	4160	980	8673	2060	18233
	120	529	4682	1080	9558	2060	18233
	160	529	4682	1180	10443	2450	21684

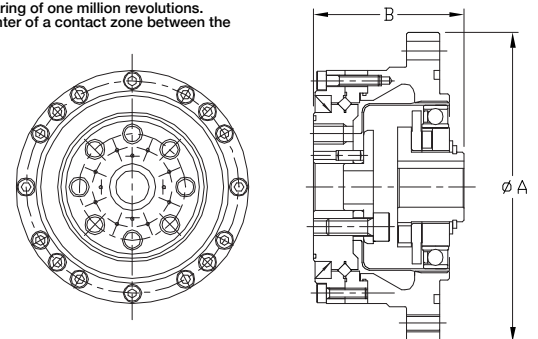
•Cross Roller Bearing Specification

Size	Item	Basic Rated Load				Allowable Moment Load Mc		Moment Stiffness Km	
		Basic Dynamic Rated Load C		Basic Static Rated Load Co		Nm	In-lb	x 10 ⁴ Nm /rad	In-lb/arc-min
		x 10 ³ N	lb	x 10 ³ N	lb				
14		47	1057	60.7	1365	41	363	4.38	113
17		52.9	1189	75.5	1697	64	566	7.75	200
20		57.8	1299	90.0	2023	91	805	12.8	330
25		96.0	2158	151	3394	156	1381	24.2	623
32		150	3372	250	5620	313	2770	53.9	1388
40		213	4788	365	8205	450	3983	91.0	2343
45		230	5170	426	9576	686	6071	141	3631
50		348	7823	602	13533	759	6717	171	4403
58		518	11645	904	20322	1180	10443	283	7287
65		556	12499	1030	23154	1860	16461	404	10403

- "Basic dynamic rated load" is a constant stationary radial load that achieves a basic dynamic rated life of the bearing of one million revolutions.
- "Basic static rated load" is a static load that achieves a contact stress of a constant level (408kN/mm²) at the center of a contact zone between the rolling element receiving a maximum load and track.
- The moment stiffnesses are mean values.


•Dimensions

Symbol	Unit: mm									
	14	17	20	25	32	40	45	50	58	65
∅A	73	79	93	107	138	160	180	190	226	260
B	41	45	45.5	52	62	72.5	79.5	90	104.5	115



Lightweight Gear Unit

CSF-2UH-LW Series



LW indicates lightweight, the CSF-2UH is a housed component gear set combined with a precision cross roller output bearing & flange.

- Zero Backlash
- 30% average lower weight than Standard Series
- High Torque to Weight ratio
- Accuracy <1 arc-min
- High torsional stiffness
- High efficiency
- Robust cross roller output bearing
- Output flange for direct mounting of load

L₁₀ Life: 7,000h

•CSF-2UH-LW Series Ratings

Item	Ratio	Rated Torque at 2000rpm		Limit for Repeated Peak Torque		Limit for Momentary Peak Torque	
		Nm	In-lb	Nm	In-lb	Nm	In-lb
14	30	4.0	35	9.0	80	17	150
	50	5.4	48	18	159	35	310
	80	7.8	69	23	204	47	416
	100	7.8	69	28	248	54	478
17	30	8.8	78	16	142	30	266
	50	16	142	34	301	70	620
	80	22	195	43	381	87	770
	100	24	212	54	478	108	956
20	120	24	212	54	478	86	761
	30	15	133	27	239	50	443
	50	25	221	56	496	98	867
	80	34	301	74	655	127	1,124
25	100	40	354	82	726	147	1,301
	120	40	354	87	770	147	1,301
	160	40	354	92	814	147	1,301
	30	27	239	50	443	95	841
32	50	39	345	98	867	186	1,646
	80	63	558	137	1,213	255	2,257
	100	67	593	157	1,390	284	2,514
	120	67	593	167	1,478	304	2,691
40	160	67	593	176	1,558	314	2,779
	30	54	478	100	885	200	1,770
	50	76	673	216	1,912	382	3,381
	80	118	1,044	304	2,691	568	5,027
50	100	137	1,213	333	2,947	647	5,726
	120	137	1,213	353	3,124	686	6,072
	160	137	1,213	372	3,292	686	6,072

Item	Ratio	Rated Torque at 2000rpm		Limit for Repeated Peak Torque		Limit for Momentary Peak Torque	
		Nm	In-lb	Nm	In-lb	Nm	In-lb
40	50	137	1,213	402	3,558	686	6,072
	80	206	1,823	519	4,594	980	8,674
	100	265	2,345	568	5,027	1,080	9,559
	120	294	2,602	617	5,461	1,180	10,444
	160	294	2,602	647	5,726	1,180	10,444
45	50	176	1,558	500	4,425	950	8,408
	80	313	2,770	706	6,249	1,270	11,240
	100	353	3,124	755	6,682	1,570	13,896
	120	402	3,558	823	7,284	1,760	15,577
50	160	402	3,558	882	7,806	1,910	16,905
	50	245	2,168	715	6,328	1,430	12,657
	80	372	3,292	941	8,329	1,860	16,462
	100	470	4,160	980	8,674	2,060	18,233
58	120	529	4,682	1,080	9,559	2,060	18,233
	160	529	4,682	1,180	10,444	2,450	21,684
	50	353	3,124	1,020	9,028	1,960	17,347
	80	549	4,859	1,480	13,099	2,450	21,684
65	100	696	6,160	1,590	14,073	3,180	28,145
	120	745	6,594	1,720	15,223	3,330	29,473
	160	745	6,594	1,840	16,285	3,430	30,358
	50	490	4,337	1,420	12,568	2,830	25,048
65	80	745	6,594	2,110	18,675	3,720	32,925
	100	951	8,417	2,300	20,357	4,750	42,041
	120	951	8,417	2,510	22,215	4,750	42,041
	160	951	8,417	2,630	23,277	4,750	42,041

•Cross Roller Bearing Specification

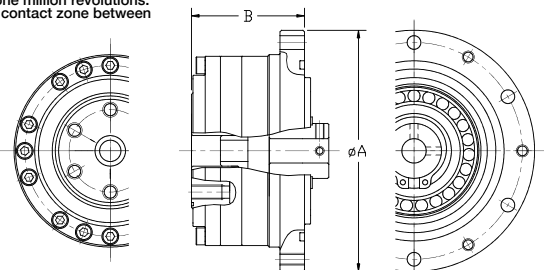
Item	Basic Rated Load				Allowable Moment Load Mc		Moment Stiffness Km	
	Basic Dynamic Rated Load C		Basic Static Rated Load Co		Nm	In-lb	x 10 ⁴ Nm / rad	In-lb/arc-min
	x 10 ² N	lb	x 10 ² N	lb				
14	47	1,057	60.7	1,365	33.6	297	3.6	32
17	52.9	1,189	75.5	1,697	52.5	465	6.4	57
20	57.8	1,299	90.0	2,023	74.6	660	10.5	93
25	96.0	2,158	151	3,395	128	1,133	19.8	175
32	150	3,372	250	5,620	257	2,275	44.2	391
40	213	4,788	365	8,206	369	3,266	74.6	660
45	230	5,171	426	9,577	563	4,983	116	1,027
50	348	7,823	602	13,534	622	5,505	140	1,239
58	518	11,645	904	20,323	838	7,417	201	1,779
65	556	12,499	1030	23,155	1,525	13,497	331	2,930

- "Basic dynamic rated load" is a constant stationary radial load that achieves a basic dynamic rated life of the bearing of one million revolutions.
- "Basic static rated load" is a static load that achieves a contact stress of a constant level (408kN/mm²) at the center of a contact zone between the rolling element receiving a maximum load and track.
- The moment stiffnesses are mean values.

•Dimensions

Size	14	17	20	25	32	40	45	50	58	65
Symbol										
øA	73	79	93	107	138	160	180	190	226	260
B	41	45	45.5	52	62	72.5	79.5	90	104.5	115

Unit: mm



High Torque Gear Unit CSG-2UH Series



CSG-2UH is a high torque housed component gear set combined with a precision cross roller output bearing & flange. It is a very compact, robust and easy to use gearhead solution.

- Zero backlash
- High torque capacity
- High torsional stiffness
- Compact and simple design
- High positioning accuracy
- 30% higher torque than a CSF unit

L₁₀ Life: 10,000 h

•CSG-2UH Series Ratings

Item Size	Ratio	Rated Torque at 2000rpm		Limit for Repeated Peak Torque		Limit for Momentary Peak Torque	
		Nm	In-lb	Nm	In-lb	Nm	In-lb
14	50	7	62	23	204	46	407
	80	10	89	30	266	61	540
	100	10	89	36	319	70	620
17	50	21	186	44	389	91	805
	80	29	257	56	496	113	1000
	100	31	274	70	620	143	1266
20	120	31	274	70	620	112	991
	50	33	292	73	646	127	1124
	80	44	389	96	850	165	1460
	100	52	460	107	947	191	1690
25	120	52	460	113	1000	191	1690
	160	52	460	120	1062	191	1690
	50	51	451	127	1124	242	2142
	80	82	726	178	1575	332	2938
32	100	87	770	204	1805	369	3266
	120	87	770	217	1920	395	3496
	160	87	770	229	2027	408	3611
	50	99	876	281	2487	497	4399
40	80	153	1354	395	3496	738	6532
	100	178	1575	433	3832	841	7443
	120	178	1575	459	4062	892	7895
	160	178	1575	484	4283	892	7895

Item Size	Ratio	Rated Torque at 2000rpm		Limit for Repeated Peak Torque		Limit for Momentary Peak Torque	
		Nm	In-lb	Nm	In-lb	Nm	In-lb
40	50	178	1575	523	4629	892	7895
	80	268	2372	675	5974	1270	11240
	100	345	3053	738	6531	1400	12391
	120	382	3381	802	7098	1530	13542
45	160	382	3381	841	7443	1530	13542
	50	229	2027	650	5753	1235	10931
	80	407	3602	918	8124	1651	14613
	100	459	4062	982	8691	2041	18064
50	120	523	4629	1070	9470	2288	20250
	160	523	4629	1147	10151	2483	21976
	80	484	4283	1223	10824	2418	21401
	100	611	5407	1274	11275	2678	23702
58	120	688	6089	1404	12425	2678	23702
	160	688	6089	1534	13576	3185	28190
	80	714	6319	1924	17027	3185	28190
	100	905	8009	2067	18293	4134	36589
65	120	969	8576	2236	19789	4329	38315
	160	969	8576	2392	21169	4459	39465
	80	969	8576	2743	24276	4836	42802
	100	1236	10939	2990	26462	6175	54653
65	120	1236	10939	3263	28878	6175	54653
	160	1236	10939	3419	30258	6175	54653

•Cross Roller Bearing Specification

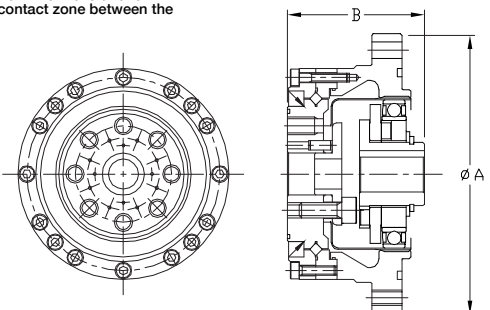
Item Size	Basic Rated Load				Allowable Moment Load Mc		Moment Stiffness Km	
	Basic Dynamic Rated Load C		Basic Static Rated Load Co		Nm	In-lb	x 10 ⁴ Nm/rad	In-lb/arc-min
	x 10 ³ N	lb	x 10 ³ N	lb				
14	47	1057	60.7	1365	41	363	4.38	113
17	52.9	1189	75.5	1697	64	566	7.75	200
20	57.8	1299	90.0	2023	91	805	12.8	330
25	96.0	2158	151	3394	156	1381	24.2	623
32	150	3372	250	5620	313	2770	53.9	1388
40	213	4788	365	8205	450	3983	91.0	2343
45	230	5170	426	9576	686	6071	141	3631
50	348	7823	602	13533	759	6717	171	4403
58	518	11645	904	20322	1180	10443	283	7287
65	556	12499	1030	23154	1860	16461	404	10403

- "Basic dynamic rated load" is a constant stationary radial load that achieves a basic dynamic rated life of the bearing of one million revolutions.
- "Basic static rated load" is a static load that achieves a contact stress of a constant level (408kN/mm²) at the center of a contact zone between the rolling element receiving a maximum load and track.
- The moment stiffnesses are mean values.

•Dimensions

Size	14	17	20	25	32	40	45	50	58	65
Symbol										
øA	73	79	93	107	138	160	180	190	226	260
B	41	45	45.5	52	62	72.5	79.5	90	104.5	115

Unit: mm



High Torque, Lightweight Gear Unit

CSG-2UH-LW Series



LW indicates lightweight. CSG-2UH is a high torque housed component gear set combined with a precision cross roller output bearing & flange. It is a very compact, robust and easy to use gearhead solution.

- Zero Backlash
- 30% average lower weight than Standard Series
- High Torque to Weight ratio
- Accuracy <1 arc-min
- High torsional stiffness
- High efficiency
- Robust cross roller output bearing
- Output flange for direct mounting of load

L₁₀ Life: 10,000 h

•CSG-2UH-LW Series Ratings

Item Size	Ratio	Rated Torque at 2000rpm		Limit for Repeated Peak Torque		Limit for Momentary Peak Torque	
		Nm	In-lb	Nm	In-lb	Nm	In-lb
14	50	7	62	23	204	46	407
	80	10	89	30	266	61	540
	100	10	89	36	319	70	620
17	50	21	186	44	389	91	805
	80	29	257	56	496	113	1,000
	100	31	274	70	620	143	1,266
20	50	33	292	73	646	127	1,124
	80	44	389	96	850	165	1,460
	100	52	460	107	947	191	1,690
25	50	51	451	127	1,124	242	2,142
	80	82	726	178	1,575	332	2,938
	100	87	770	204	1,806	369	3,266
32	50	99	876	281	2,487	497	4,399
	80	153	1,354	395	3,496	738	6,532
	100	178	1,575	433	3,832	841	7,443

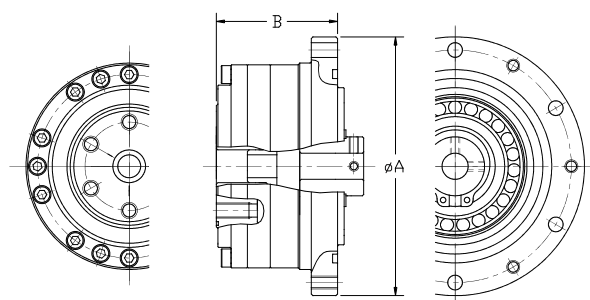
Item Size	Ratio	Rated Torque at 2000rpm		Limit for Repeated Peak Torque		Limit for Momentary Peak Torque	
		Nm	In-lb	Nm	In-lb	Nm	In-lb
40	50	178	1,575	523	4,629	892	7,895
	80	268	2,372	675	5,974	1,270	11,240
	100	345	3,054	738	6,532	1,400	12,391
	120	382	3,381	802	7,098	1,530	13,542
45	50	229	2,027	650	5,753	1,235	10,931
	80	407	3,602	918	8,125	1,651	14,613
	100	459	4,062	982	8,691	2,041	18,064
50	50	523	4,629	1,070	9,470	2,288	20,250
	80	484	4,284	1,223	10,824	2,418	21,401
	100	611	5,408	1,274	11,276	2,678	23,702
58	50	688	6,089	1,404	12,426	2,678	23,702
	80	714	6,319	1,924	17,029	3,185	28,190
	100	905	8,010	2,067	18,294	4,134	36,589
65	50	969	8,576	2,236	19,790	4,329	38,315
	80	969	8,576	2,392	21,171	4,459	39,465
	100	969	8,576	2,743	24,278	4,836	42,802

•Cross Roller Bearing Specification

Item Size	Basic Rated Load				Allowable Moment Load		Moment Stiffness Km	
	Basic Dynamic Rated Load C		Basic Static Rated Load Co					
	x 10 ³ N	lb	x 10 ³ N	lb	Nm	In-lb	x 10 ⁴ Nm /rad	In-lb/arc-min
14	47	1,057	60.7	1,365	33.6	297	3.6	32
17	52.9	1,189	75.5	1,697	52.5	465	6.4	57
20	57.8	1,299	90.0	2,023	74.6	660	10.5	93
25	96.0	2,158	151	3,395	128	1,133	19.8	175
32	150	3,372	250	5,620	257	2,275	44.2	391
40	213	4,788	365	8,206	369	3,266	74.6	660
45	230	5,170	426	9,577	563	4,983	116	1,027
50	348	7,823	602	13,534	622	5,505	140	1,239
58	518	11,645	904	20,323	838	7,417	201	1,779
65	556	12,499	1030	23,155	1,525	13,497	331	2,930

•Dimensions

Size Symbol	Unit: mm									
	14	17	20	25	32	40	45	50	58	65
øA	73	79	93	107	138	160	180	190	226	260
B	41	45	45.5	52	62	72.5	79.5	90	104.5	115



High Torque Gear Unit CSG-2UK Series



CSG-2UK is a high torque fully sealed, high accuracy gear reducer ideally suited for machine tool applications.

- Zero backlash
- Compatible with Fanuc motors
- High torque capacity
- High torsional stiffness
- High positioning accuracy

L₁₀ Life: 10,000 h

•CSG-2UK Series Ratings

Item Size	Ratio	Rated Torque at 2000rpm		Limit for Repeated Peak Torque		Limit for Momentary Peak Torque	
		Nm	In-lb	Nm	In-lb	Nm	In-lb
		25	50	51	451	127	1124
	80	82	726	178	1575	332	2938
	100	87	770	204	1805	369	3266
	120	87	770	217	1920	395	3496
	160	87	770	229	2027	408	3611
32	50	99	876	281	2487	497	4399
	80	153	1354	395	3496	738	6532
	100	178	1575	433	3832	841	7443
	120	178	1575	459	4062	892	7895
	160	178	1575	484	4283	892	7895
40	50	178	1575	523	4629	892	7895
	80	268	2372	675	5974	1270	11240
	100	345	3053	738	6531	1400	12391
	120	382	3381	802	7098	1530	13542
	160	382	3381	841	7443	1530	13542

Item Size	Ratio	Rated Torque at 2000rpm		Limit for Repeated Peak Torque		Limit for Momentary Peak Torque	
		Nm	In-lb	Nm	In-lb	Nm	In-lb
		45	50	229	2027	650	5753
80	407		3602	918	8124	1651	14613
100	459		4062	982	8691	2041	18064
120	523		4629	1070	9470	2288	20250
160	523		4629	1147	10151	2483	21976
58	80	714	6319	1924	17027	3185	28190
	100	905	8009	2067	18293	4134	36589
	120	969	8576	2236	19789	4329	38315
	160	969	8576	2392	21169	4459	39465
65	80	969	8576	2743	24276	4836	42802
	100	1236	10939	2990	26462	6175	54653
	120	1236	10939	3263	28878	6175	54653
	160	1236	10939	3419	30258	6175	54653

•Cross Roller Bearing Specification

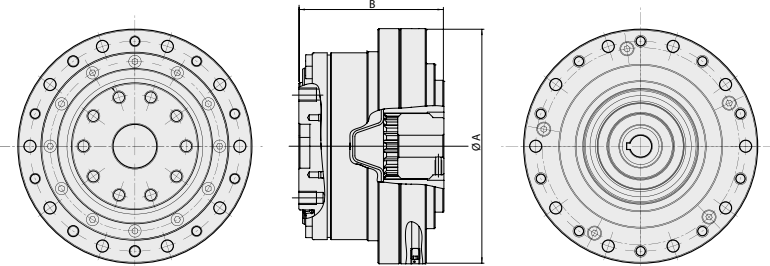
Item Size	Basic Rated Load				Permissible Moment Load Mc		Moment Stiffness Km	
	Basic Dynamic Rated Load C		Basic Static Rated Load Co		Nm	In-lb	x 10 ⁴ Nm /rad	In-lb/arc-min
	x 10 ³ N	lb	x 10 ³ N	lb				
25	96.0	2158	151	3394	128	1133	19.8	512
32	150	3372	250	5620	257	2274	44.2	1137
40	213	4788	365	8205	369	3266	74.6	1918
45	230	5170	426	9576	563	4983	116	2986
58	518	11645	904	20322	838	7416	201	5173
65	556	12499	1030	23154	1525	13496	331	9374

- "Basic dynamic rated load" is a constant stationary radial load that achieves a basic dynamic rated life of the bearing of one million revolutions.
- "Basic static rated load" is a static load that achieves a contact stress of a constant level (408kN/mm²) at the center of a contact zone between the rolling element receiving a maximum load and track.
- The moment stiffnesses are mean values.

•Dimensions

Unit: mm

Size	25	32	40	45	58	65
Symbol						
øA	107	138	160	180	226	260
B	66	75	85	102	120	129



Large, Hollow-Shaft FBS-2UH Series



This new Harmonic Drive® gear features a large, hollow shaft with a compact outer diameter. An extra large hollow shaft is ideal for robots and machines requiring complex cabling to pass through the axis of rotation. The new gear design features Harmonic Drive's "S" tooth profile for optimal tooth engagement resulting in high torque, high-torsional stiffness, long life and smooth rotation. The new FBS Series is available in two sizes (25, 32) and two ratios (30:1, 50:1).

- Extra large hollow-shaft diameter is our largest yet for a standard product
- Compact dimensions for use in robotics
- Outer diameter and hollow bore optimized for design flexibility and performance

•FBS Series Ratings

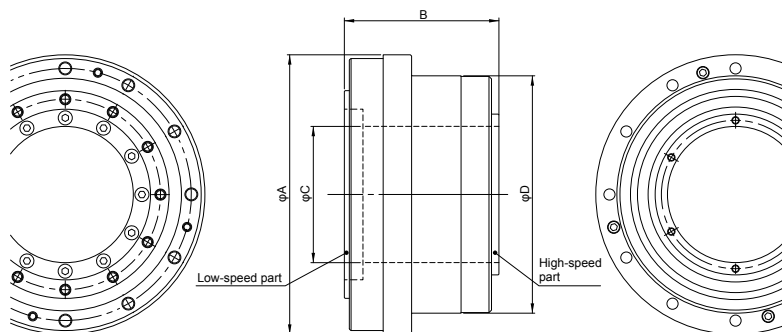
Size	Reduction Ratio	Rated torque at input speed 2000 rpm		Limit for repeated peak torque		Limit for average torque		Limit for momentary peak torque		Allowable maximum input speed rpm	Limit for average input speed rpm	Moment of inertia (GD2/4) kgcm ²
		Nm	kgfm	Nm	kgfm	Nm	kgfm	Nm	kgfm			
25	30	15	1.5	25	2.5	24	2.4	50	5.1	3600	2500	1.0
	50	22	2.2	47	4.8	35	3.6	93	9.5			
32	30	30	3.1	48	4.9	48	4.9	96	9.8		2300	3.3
	50	43	4.4	92	9.4	67	6.8	151	15.4			

•Main Bearing Specifications

Size	Pitch Circle	Offset	Basic rated load				Allowable moment load Mc		Moment stiffness Km	
	dp	R	Basic dynamic load rating C		Basic static load rating C0					
	m	m	×10 ² N	kgf	×10 ² N	kgf	Nm	kgfm	×10 ⁴ Nm/rad	kgfm/arc min
25	0.070	0.011	73	744	110	1122	93	9.5	21	6.2
32	0.086	0.0121	109	1111	179	1825	129	13.2	31	9.2

•Dimensions

Size	Symbol	φA	B	φC	φD	Weight (kg)
25		93	53.1	41	78	1.3
32		113	62.5	55.1	96	2.2



Ultra-Flat Gear Unit CSD-2UH Series



Available in 7 sizes with ratios 50:1 to 120:1, CSD-2UH is an ultra-thin and compact housed gear component unit.

- Zero Backlash
- Lightweight
- Ultra-flat
- Compact and simple design

L_{10} Life: 7,000 h

•CSD-2UH Series Ratings

Size	Ratio	Rated Torque at 2000rpm	Limit for Repeated Peak Torque	Limit for Average Torque	Limit for Momentary Peak Torque
		Nm	Nm	Nm	Nm
14	50	3.7	12	4.8	24
	80	5.4	16	7.7	35
	100	5.4	19	7.7	35
17	50	11	23	18	48
	80	15	29	19	61
	100	16	37	27	71
20	120	16	37	27	71
	50	17	39	24	69
	80	24	51	33	89
25	100	28	57	34	95
	120	28	60	34	95
	50	27	69	38	127
32	80	44	96	60	179
	100	47	110	75	184
	120	47	117	75	204

Size	Ratio	Rated Torque at 2000rpm	Limit for Repeated Peak Torque	Limit for Average Torque	Limit for Momentary Peak Torque
		Nm	Nm	Nm	Nm
32	50	53	151	75	268
	80	83	213	117	398
	100	96	233	151	420
40	120	96	247	151	445
	50	96	281	137	480
	80	144	364	198	686
50	100	185	398	260	700
	120	205	432	315	765
	50	172	500	247	1000
50	80	260	659	363	1300
	100	329	686	466	1440
	120	370	756	569	1565

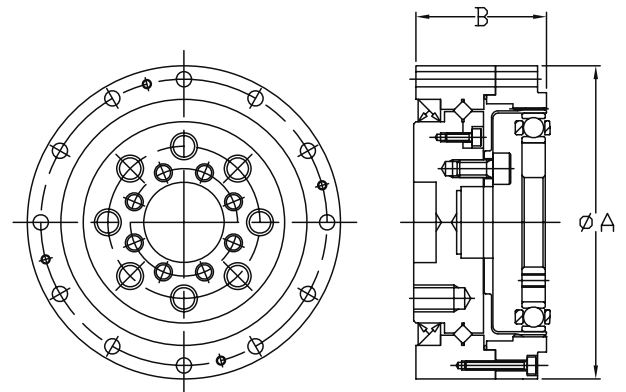
•Cross Roller Bearing Specification

Size	Item	Basic Rated Load				Permissible Moment Load Mc		Moment Stiffness Km	
		Basic Dynamic Rated Load C		Basic Static Rated Load Co		Nm	In-lb	x10 ⁶ Nm/rad	In-lb/arc.min
		x10 ² N	lb	x10 ² N	lb				
14		47	1057	60.7	1365	41	363	3.48	90
17		52.9	1189	75.5	1697	64	566	7.75	200
20		57.8	1299	90	2023	91	805	12.8	330
25		96	2158	151	3394	156	1381	24.2	623
32		150	3372	250	5620	313	2770	53.9	1388
40		213	4788	365	8205	450	3983	91	2343
50		348	7823	602	13533	759	6717	171	4403

•Dimensions

Unit: mm

Symbol	Size	14	17	20	25	32	40	50
øA h7		55	62	70	85	112	126	157
B		25	26.5	29.5	37.1	43	51.7	62.5



Ultra-Flat, Hollow Shaft Gear Unit CSD-2UF Series



Available in 6 sizes with ratios 50:1 to 120:1, CSD-2UF is an ultra-thin and compact housed gear component unit with a hollow through bore.

- Zero Backlash
- Hollow shaft
- High load capacity
- Lightweight
- Ultra-flat
- Compact and simple design

L_{10} Life: 7,000h

•CSD-2UF Series Ratings

Size	Ratio	Rated Torque at 2000rpm	Limit for Repeated Peak Torque	Limit for Average Torque	Limit for Momentary Peak Torque
		Nm	Nm	Nm	Nm
14	50	3.7	12	4.8	24
	80	5.4	16	7.7	35
	100	5.4	19	7.7	35
17	50	11	23	18	48
	80	15	29	19	61
	100	16	37	27	71
	120	16	37	27	71
20	50	17	39	24	69
	80	24	51	33	89
	100	28	57	34	95
	120	28	60	34	95
25	50	27	69	38	127
	80	44	96	60	179
	100	47	110	75	184
	120	47	117	75	204

Size	Ratio	Rated Torque at 2000rpm	Limit for Repeated Peak Torque	Limit for Average Torque	Limit for Momentary Peak Torque
		Nm	Nm	Nm	Nm
32	50	53	151	75	268
	80	83	213	117	398
	100	96	233	151	420
	120	96	247	151	445
40	50	96	281	137	480
	80	144	364	198	686
	100	185	398	260	700
	120	205	432	315	765

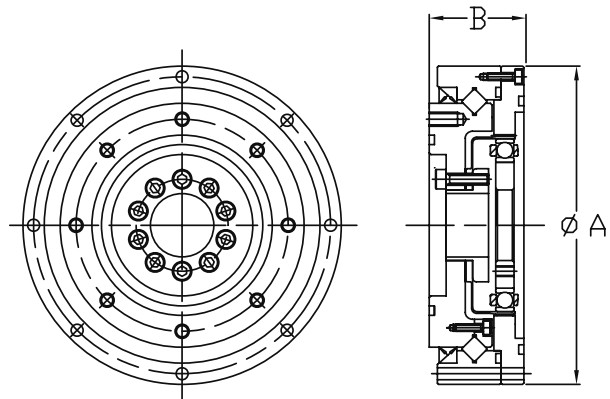
•Cross Roller Bearing Specification

Size	Item	Basic Rated Load				Permissible Moment Load Mc		Moment Stiffness Km	
		Basic Dynamic Rated Load C		Basic Static Rated Load Co		Nm	In-lb	x10 ³ Nm/rad	In-lb/arc.min
		x10 ² N	lb	x10 ² N	lb				
14		57.8	1299	90	2023	91	805	12.8	330
17		104	2338	163	3664	124	1097	15.4	397
20		146	3282	220	4946	187	1655	25.2	649
25		218	4901	358	8048	258	2283	39.2	1009
32		382	8587	654	14702	580	5133	100	2575
40		433	9734	816	18344	849	7514	179	4609


•Dimensions

Unit: mm


Size	14	17	20	25	32	40
Symbol						
øA h7	70	80	90	110	142	170
B	22	22.7	26.8	31.5	37	45



Compact Gearhead CSF Mini and Supermini Series



CSF-1U



CSF-2XH

CSF mini gearheads provide high positioning accuracy in a super-compact package. Compact 4-point contact ball bearing is mounted in the main shaft. Available in five sizes and four ratios, the CSF mini gearheads feature shaft or flange outputs.

- Zero backlash
- High positioning accuracy
- Compact and lightweight
- High torque capacity
- High radial, axial, and moment load capacity
- 4 point contact bearing
- Ratios: 30:1 to 100:1
- Flange output, shaft output, shaft input and output

L₁₀ Life: 7,000 h

•CSF Mini and Supermini Series Ratings

Size	Item	Ratio	Rated Torque at 2000 rpm		Limit for Repeated Peak Torque		Limit for Momentary Peak Torque	
			Nm	In-lb	Nm	In-lb	Nm	In-lb
3		30	0.06	0.53	0.13	1.15	0.22	1.95
		50	0.11	0.97	0.21	1.86	0.41	3.63
		100	0.16	1.42	0.3	2.66	0.57	5.04
5		30	0.25	2.2	0.5	4.4	0.9	8.0
		50	0.4	3.5	0.9	8.0	1.8	16
		100	0.6	5.3	1.4	12.4	2.7	24
8		30	0.9	8.0	1.8	16	3.3	29
		50	1.8	16	3.3	29	6.6	58
		100	2.4	21	4.8	42	9	80
11		30	2.2	19	4.5	40	8.5	75
		50	3.5	31	8.3	73	17	150
		100	5	44	11	97	25	221
14		30	4	35	9	80	17	150
		50	5.4	48	18	159	35	310
		80	7.8	69	23	204	47	416
		100	7.8	69	28	248	54	478

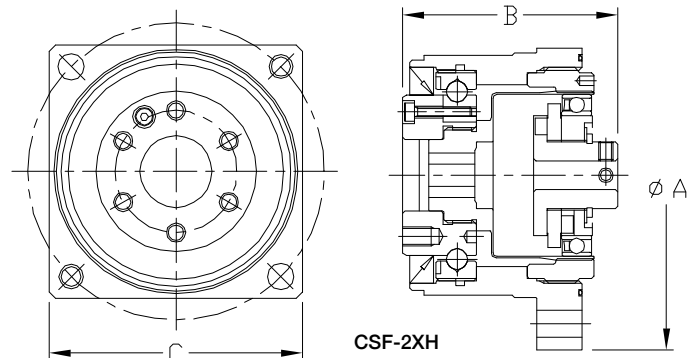
•4Point Contact Bearing Specification

Size	Item	Basic Rated Load				Permissible Moment Load Mc		Moment Stiffness Km	
		Basic Dynamic Rated Load C		Basic Static Rated Load Co		Nm	In-lb	Nm/rad	In-lb/arc.min
		x10 ² N	lb	x10 ³ N	lb				
3		6.65	149	4.24	95	0.27	2	0.9x10 ²	0.2
5		9.14	205	7.63	172	0.89	8	7.41x10 ²	1.9
8		21.6	486	19.0	427	3.46	31	2.76x10 ³	1.7
11		38.9	874	35.4	796	6.6	58	7.41x10 ³	19.0
14		61.2	1376	58.5	1315	13.2	117	1.34x10 ⁴	34.5

•Dimensions (CSF-2XH)

Size	Unit: mm				
Symbol	3*	5	8	11	14
øA	17.5	29	43.5	58	73
B	20.5	17	28.7	38.3	45
C	13	22	32	43	53

* Size 3 dimensions for CSF-1UCC



Ultra-Flat Compact Gearhead CSF-2UP Mini Series



The CSF-2UP gear units have an ultra-flat configuration with high-moment stiffness. The new models are lightweight and extremely flat. Thanks to a cross roller bearing used at the output flange, the CSF-2UP gearheads offer high-moment stiffness.

- Zero backlash
- High positioning accuracy
- Compact and lightweight
- High torque capacity
- High radial, axial, and moment load capacity
- Cross roller bearing
- Ratios: 30:1 to 100:1

L_{10} Life: 7,000 h

•CSF Mini Series Ratings

Item	Ratio	Rated Torque at 2000 rpm		Limit for Repeated Peak Torque		Limit for Momentary Peak Torque	
		Nm	In-lb	Nm	In-lb	Nm	In-lb
8	30	0.9	8.0	1.8	16	3.3	29
	50	1.8	16	3.3	29	6.6	58
	100	2.4	21	4.8	42	9	80
11	30	2.2	19	4.5	40	8.5	75
	50	3.5	31	8.3	73	17	150
	100	5	44	11	97	25	221
14	30	4	35	9	80	17	150
	50	5.4	48	18	159	35	310
	100	7.8	69	28	248	54	478

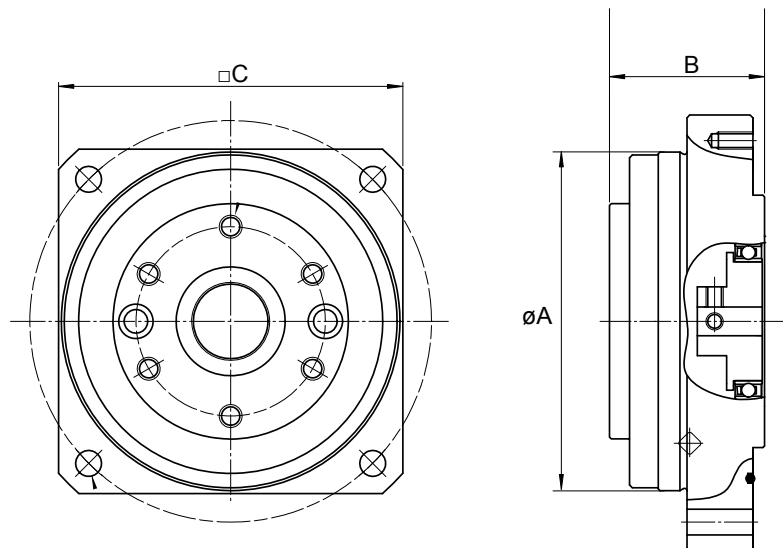
•Cross Roller Bearing Specification

Item	Basic Rated Load				Allowable Moment Load Mc		Moment Stiffness Km	
	Basic Dynamic Rated Load C		Basic Static Rated Load Co		Nm	In-lb	Nm/rad	In-lb/arc.min
	x10 ² N	lb	x10 ² N	lb				
8	58	1305	80	1800	15	133	2.0 x 10 ⁴	52
11	65	1462	99	2228	40	354	4.0 x 10 ⁴	104
14	74	1665	128	2880	75	664	8.0 x 10 ⁴	208

•Dimensions


Unit: mm

Size	8	11	14
Symbol			
øA h7	49	59	74
B	24.8	27	33.5
C	50±1	60±1	75±1



Gear unit with hollow shaft or solid input shaft

SHF-2UH/2UJ Series



Incorporating a Harmonic Drive® gear component into an integral housing, the SHF-2UH is a compact hollow shaft gearhead with zero backlash.

- Zero backlash
- Large hollow through bore (2UH)
- High positioning accuracy
- Compact and simple design
- High torque capacity
- High torsional stiffness
- Shaft input units available (SHF-2UJ)

L₁₀ Life: 7,000h

•SHF Series Ratings

Item	Ratio	Rated Torque at 2000rpm		Limit for Repeated Peak Torque		Limit for Momentary Peak Torque	
		Nm	In-lb	Nm	In-lb	Nm	In-lb
11	50	3.5	31	8.3	73	17	150
	100	5	44	11	97	25	221
14	30	4.0	35	9.0	80	17	150
	50	5.4	48	18	159	35	310
	80	7.8	69	23	204	47	416
	100	7.8	69	28	248	54	478
17	30	8.8	78	6	142	30	266
	50	16	142	34	301	70	620
	80	22	195	43	381	87	770
	100	24	212	54	478	110	974
20	120	24	212	54	478	86	761
	30	15	133	27	239	50	443
	50	25	221	56	496	98	867
	80	34	301	74	655	127	1124
	100	40	354	82	726	147	1301
	120	40	354	87	770	147	1301
25	160	40	354	92	814	147	1301
	30	27	239	50	443	95	841
	50	39	345	98	867	186	1646
	80	63	558	137	1212	255	2257
	100	67	593	157	1389	284	2514
	120	67	593	167	1478	304	2691

Item	Ratio	Rated Torque at 2000rpm		Limit for Repeated Peak Torque		Limit for Momentary Peak Torque	
		Nm	In-lb	Nm	In-lb	Nm	In-lb
32	30	54	478	100	885	200	1770
	50	76	673	216	1912	382	3381
	80	118	1044	230	2036	568	5027
	100	137	1212	333	2947	647	5726
	120	137	1212	353	3124	686	6072
	160	137	1212	372	3292	686	6072
40	50	137	1212	402	3558	686	6072
	80	206	1823	519	4593	980	8674
	100	265	2345	568	5027	1080	9559
	120	294	2602	617	5460	1180	10444
	160	294	2602	647	5726	1180	10444
	50	176	1558	500	4425	950	8408
45	80	313	2770	706	6248	1270	11240
	100	353	3124	755	6682	1570	13896
	120	402	3558	823	7284	1760	15577
	160	402	3558	882	7806	1910	16905
	50	245	2168	715	6328	1430	12657
	80	372	3292	941	8328	1860	16462
50	100	470	4160	980	8673	2060	18233
	120	529	4682	1080	9558	2060	18233
	160	529	4682	1180	10443	2450	21684
	50	353	3124	1020	9027	1960	17347
58	80	549	4859	1480	13098	2450	21684
	100	686	6160	1590	14072	3180	28145
	120	745	6593	1720	15222	3330	29473
	160	745	6593	1840	16284	3430	30358

•Cross Roller Bearing Specification

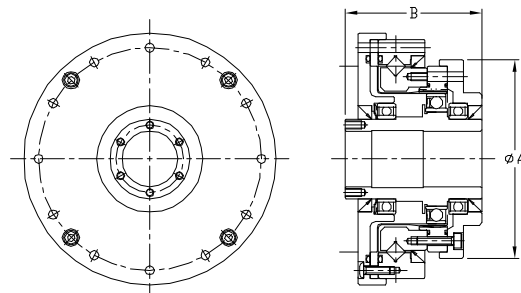
Item	Basic Rated Load				Allowable Moment Load Mc		Moment Stiffness Km	
	Basic Dynamic Rated Load C		Basic Static Rated Load Co		Nm	In-lb	x 10 ⁶ Nm / rad	In-lb/arc-min
11	x 10 ² N	lb	x 10 ² N	lb	74	655	6.5	167
14	52.9	1189	75.5	1697	74	655	8.5	219
17	58	1304	86	1933	124	1097	15.1	389
20	104	2338	163	3664	187	1655	25.2	649
25	146	3282	220	4946	258	2283	39.2	1009
32	218	4901	358	8048	580	5133	100	2575
40	382	8587	654	14702	849	7514	179	4609
45	433	9734	816	18344	1127	9974	257	6618
50	776	17444	1350	30348	1487	13160	351	9038
58	816	18344	1490	33495	2180	19293	531	13673

• "Basic dynamic rated load" is a constant stationary radial load that achieves a basic dynamic rated life of the bearing of one million revolutions. "Basic static rated load" is a static load that achieves a contact stress of a constant level (408kN/mm²) at the center of a contact zone between the rolling element receiving a maximum load and track.


•Dimensions (2UH)

Unit: mm

Size	11	14	17	20	25	32	40	45	50	58
Symbol										
øA	45.3	54	64	75	90	115	140	160	172	201
B	48	52.5	56.5	51.5	55.5	65.5	79	85	93	106



SHF-2UH-LW Series



LW indicates lightweight. Incorporating a Harmonic Drive® gear component into an integral housing, the SHF-2UH-LW is a lightweight, compact hollow shaft gearhead with zero backlash.

- Zero backlash
- 20% lighter than standard unit
- Large hollow through bore
- High positioning accuracy
- High torque capacity
- High torsional stiffness

L₁₀ Life: 7,000h

•SHF-2UH-LW Series Ratings

Item Size	Ratio	Rated Torque at 2000rpm		Limit for Repeated Peak Torque		Limit for Momentary Torque	
		Nm	In-lb	Nm	In-lb	Nm	In-lb
14	30	4.0	35	9.0	80	17	150
	50	5.4	48	18	159	35	310
	80	7.8	69	23	204	47	416
	100	7.8	69	28	248	54	478
17	30	8.8	78	16	142	30	266
	50	16	142	34	301	70	620
	80	22	195	43	381	87	770
	100	24	212	54	478	108	956
20	120	24	212	54	478	86	761
	30	15	133	27	239	50	443
	50	25	221	56	496	98	867
	80	34	301	74	655	127	1,124
25	100	40	354	82	726	147	1,301
	120	40	354	87	770	147	1,301
	160	40	354	92	814	147	1,301
	30	27	239	50	443	95	841
32	50	39	345	98	867	186	1,646
	80	63	558	137	1,213	255	2,257
	100	67	593	157	1,390	284	2,514
	120	67	593	167	1,478	304	2,691
40	160	67	593	176	1,558	314	2,779
	30	54	478	100	885	200	1,770
	50	76	673	216	1,912	382	3,381
	80	118	1,044	304	2,691	568	5,027
50	100	137	1,213	333	2,947	647	5,726
	120	137	1,213	353	3,124	686	6,072
	160	137	1,213	372	3,292	686	6,072

Item Size	Ratio	Rated Torque at 2000rpm		Limit for Repeated Peak Torque		Limit for Momentary Torque	
		Nm	In-lb	Nm	In-lb	Nm	In-lb
40	50	137	1,213	402	3,558	686	6,072
	80	206	1,823	519	4,594	980	8,674
	100	265	2,345	568	5,027	1,080	9,559
	120	294	2,602	617	5,461	1,180	10,444
45	160	294	2,602	647	5,726	1,180	10,444
	50	176	1,558	500	4,425	950	8,408
	80	313	2,770	706	6,249	1,270	11,240
	100	353	3,124	755	6,682	1,570	13,896
50	120	402	3,558	823	7,284	1,760	15,577
	160	402	3,558	882	7,806	1,910	16,905
	50	245	2,168	715	6,328	1,430	12,657
	80	372	3,292	941	8,329	1,860	16,462
58	100	470	4,160	980	8,674	2,060	18,233
	120	529	4,682	1,080	9,559	2,060	18,233
	160	529	4,682	1,180	10,444	2,450	21,684
	50	353	3,124	1,020	9,028	1,960	17,347
58	80	549	4,859	1,480	13,099	2,450	21,684
	100	696	6,160	1,590	14,073	3,180	28,145
	120	745	6,594	1,720	15,223	3,330	29,473
	160	745	6,594	1,840	16,285	3,430	30,358

•Cross Roller Bearing Specification

Item Size	Basic Rated Load				Allowable Moment Load Mc		Moment Stiffness Km	
	Basic Dynamic Rated Load C		Basic Static Rated Load Co		Nm	In-lb	x 10 ⁴ Nm / rad	In-lb/arc-min
	x 10 ³ N	lb	x 10 ³ N	lb				
14	58	1,304	86	1,933	74	655	8.5	75
17	104	2,338	163	3,664	124	1,097	15.4	136
20	146	3,282	220	4,946	187	1,655	25.2	223
25	218	4,901	358	8,048	258	2,283	39.2	347
32	382	8,588	654	14,703	580	5,133	100	885
40	433	9,734	816	18,344	849	7,514	179	1,584
45	776	17,445	1,350	30,349	1,127	9,975	257	2,275
50	816	18,344	1,490	33,497	1,487	13,161	351	3,107
58	874	19,648	1,710	38,442	2,180	19,295	531	4,700

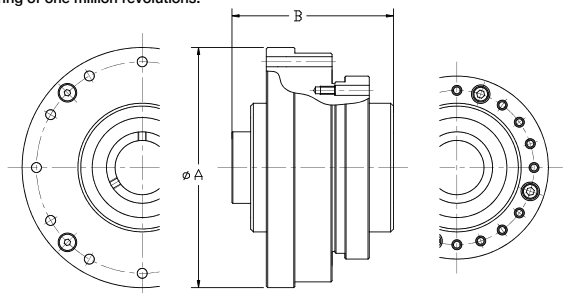
**1: "Basic dynamic rated load" is a constant stationary radial load that achieves a basic dynamic rated life of the bearing of one million revolutions.

**2: "Basic static rated load" is a static load that achieves a contact stress of a constant level (408kN/mm²) at the center of a contact zone between the rolling element receiving a maximum load and track.

•Dimensions

Unit: mm

Size Symbol	14	17	20	25	32	40	45	50	58
øA	52	62	73	88	115	140	160	168	195
B	52.5	56.5	51.5	55.5	65.5	79	85	93	106



High torque gear unit with hollow shaft or solid input shaft

SHG-2UH /2UJ Series



The SHG-2UH series with a hollow shaft is a high torque, compact, precision gearhead with zero backlash and exceptional accuracy and repeatability.

- Zero backlash
- Large hollow through bore (2UH)
- High positioning accuracy
- High torque capacity
- High torsional stiffness
- Shaft input units available (SHG-2UJ)
- 30% increased torque compared to SHF Units

L_{10} Life: 10,000 h

•SHG Series Ratings

Item	Ratio	Rated Torque at 2000rpm		Limit for Repeated Peak Torque		Limit for Momentary Peak Torque	
		Nm	In-lb	Nm	In-lb	Nm	In-lb
14	50	7.0	62	23	204	46	407
	80	10	89	30	266	61	540
	100	10	89	36	319	70	620
17	50	21	186	44	389	91	805
	80	29	257	56	496	113	1000
	100	31	274	70	620	143	1266
	120	31	274	70	620	112	991
20	50	33	292	73	646	127	1124
	80	44	389	96	850	165	1460
	100	52	460	107	947	191	1690
	120	52	460	113	1000	191	1690
	160	52	460	120	1062	191	1690
25	50	51	451	127	1124	242	2142
	80	82	726	178	1575	332	2938
	100	87	770	204	1805	369	3266
	120	87	770	217	1920	395	3496
	160	87	770	229	2027	408	3611
32	50	99	876	281	2487	497	4399
	80	153	1354	395	3496	738	6532
	100	178	1575	433	3832	841	7443
	120	178	1575	459	4062	892	7895
160	178	1575	484	4283	892	7895	

Item	Ratio	Rated Torque at 2000rpm		Limit for Repeated Peak Torque		Limit for Momentary Peak Torque	
		Nm	In-lb	Nm	In-lb	Nm	In-lb
40	50	178	1575	523	4629	892	7895
	80	268	2372	675	5974	1270	11240
	100	345	3053	738	6531	1400	12391
	120	382	3381	802	7098	1530	13542
45	50	229	2027	650	5753	1235	10931
	80	407	3602	918	8124	1651	14613
	100	459	4062	982	8691	2041	18064
	120	523	4629	1070	9470	2288	20250
50	50	523	4629	1147	10151	2483	21976
	80	484	4283	1223	10824	2418	21401
	100	611	5407	1274	11275	2678	23702
	120	688	6089	1404	12425	2678	23702
58	50	688	6089	1534	13576	3185	28190
	80	714	6319	1924	17027	3185	28190
	100	905	8009	2067	18293	4134	36589
	120	969	8576	2236	19789	4329	38315
65	50	969	8576	2392	21169	4459	39465
	80	969	8576	2743	24276	4836	42802
	100	1236	10939	2990	26462	6175	54653
	120	1236	10939	3263	28878	6175	54653
160	1236	10939	3419	30258	6175	54653	

•Cross Roller Bearing Specification

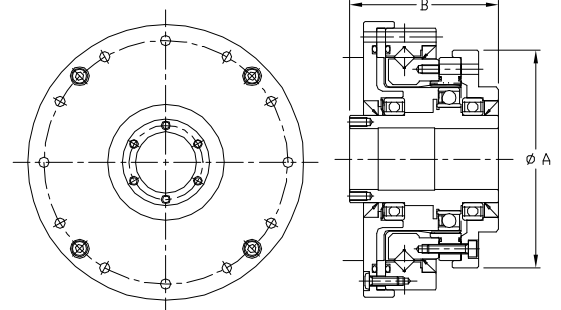
Item	Basic Rated Load				Allowable Moment Load Mc		Moment Stiffness Km	
	Basic Dynamic Rated Load C		Basic Static Rated Load Co		Nm	In-lb	x 10 ⁴ Nm /rad	In-lb/arc-min
	x 10 ² N	lb	x 10 ² N	lb				
14	58	1304	86	1933	74	655	8.5	219
17	104	2338	163	3664	124	1097	15.1	389
20	146	3282	220	4946	187	1655	25.2	649
25	218	4901	358	8048	258	2283	39.2	1009
32	382	8587	654	14702	580	5133	100	2575
40	433	9734	816	18344	849	7514	179	4609
45	776	17444	1350	30348	1127	9974	257	6618
50	816	18344	1490	33495	1487	13160	351	9038
58	874	19648	1710	38441	2180	19293	531	13673
65	1300	29224	2230	50130	2740	24249	741	19081

• "Basic dynamic rated load" is a constant stationary radial load that achieves a basic dynamic rated life of the bearing of one million revolutions.
 "Basic static rated load" is a static load that achieves a contact stress of a constant level (408kN/mm²) at the center of a contact zone between the rolling element receiving a maximum load and track.

•Dimensions (2UH)

Size	14	17	20	25	32	40	45	50	58	65
Symbol										
øA	54	64	75	90	115	140	160	175	201	221
B	52.5	56.5	51.5	55.5	65.5	79	85	93	106	128

Unit: mm



SHG-2UH-LW Series



Incorporating a Harmonic Drive® gear component into an integral housing, the SHF-2UH-LW is a lightweight compact hollow shaft gearhead with zero backlash.

- Zero backlash
- 20% lighter than standard unit
- Large hollow through bore
- High positioning accuracy
- High torque capacity
- High torsional stiffness
- 30% increased torque compared to SHF Units

L_{10} Life: 10,000 h

•SHG-2UH-LW Series Ratings

Item Size	Ratio	Rated Torque at 2000rpm		Limit for Repeated Peak Torque		Limit for Momentary Torque	
		Nm	In-lb	Nm	In-lb	Nm	In-lb
14	50	7	62	23	204	46	407
	80	10	89	30	266	61	540
	100	10	89	36	319	70	620
17	50	21	186	44	389	91	805
	80	29	257	56	496	113	1,000
	100	31	274	70	620	143	1,266
20	50	33	292	73	646	127	1,124
	80	44	389	96	850	165	1,460
	100	52	460	107	947	191	1,690
25	50	51	451	127	1,124	242	2,142
	80	82	726	178	1,575	332	2,938
	100	87	770	204	1,806	369	3,266
32	50	99	876	281	2,487	497	4,399
	80	153	1,354	395	3,496	738	6,532
	100	178	1,575	433	3,832	841	7,443

Item Size	Ratio	Rated Torque at 2000rpm		Limit for Repeated Peak Torque		Limit for Momentary Torque	
		Nm	In-lb	Nm	In-lb	Nm	In-lb
40	50	178	1,575	523	4,629	892	7,895
	80	268	2,372	675	5,974	1,270	11,240
	100	345	3,054	738	6,532	1,400	12,391
	120	382	3,381	802	7,098	1,530	13,542
45	50	229	2,027	650	5,753	1,235	10,931
	80	407	3,602	918	8,125	1,651	14,613
	100	459	4,062	982	8,691	2,041	18,064
	120	523	4,629	1,070	9,470	2,288	20,250
50	50	229	2,027	650	5,753	1,235	10,931
	80	484	4,284	1,223	10,824	2,418	21,401
	100	611	5,408	1,274	11,276	2,678	23,702
	120	688	6,089	1,404	12,426	2,678	23,702
58	50	229	2,027	650	5,753	1,235	10,931
	80	407	3,602	918	8,125	1,651	14,613
	100	459	4,062	982	8,691	2,041	18,064
	120	523	4,629	1,070	9,470	2,288	20,250
65	50	229	2,027	650	5,753	1,235	10,931
	80	407	3,602	918	8,125	1,651	14,613
	100	459	4,062	982	8,691	2,041	18,064
	120	523	4,629	1,070	9,470	2,288	20,250

•Cross Roller Bearing Specification

Item Size	Basic Rated Load				Allowable Moment Load Mc		Moment Stiffness Km	
	Basic Dynamic Rated Load C		Basic Static Rated Load Co		Nm	In-lb	x 10 ⁴ Nm /rad	In-lb/arc-min
	x 10 ³ N	lb	x 10 ² N	lb				
14	58	1,304	86	1,933	74	655	8.5	75
17	104	2,338	163	3,664	124	1,097	15.4	136
20	146	3,282	220	4,946	187	1,655	25.2	223
25	218	4,901	358	8,048	258	2,283	39.2	347
32	382	8,588	654	14,703	580	5,133	100	885
40	433	9,734	816	18,344	849	7,514	179	1,584
45	776	17,445	1,350	30,349	1,127	9,975	257	2,275
50	816	18,344	1,490	33,497	1,487	13,161	351	3,107
58	874	19,648	1,710	38,442	2,180	19,295	531	4,700
65	1,300	29,225	2,230	50,132	2,740	24,251	741	6,558

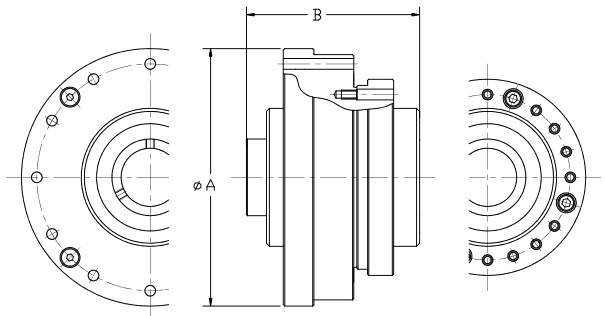
*1: "Basic dynamic rated load" is a constant stationary radial load that achieves a basic dynamic rated life of the bearing of one million revolutions.

*2: "Basic static rated load" is a static load that achieves a contact stress of a constant level (408kN/mm²) at the center of a contact zone between the rolling element receiving a maximum load and track.

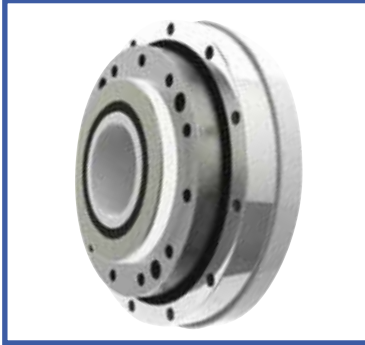
•Dimensions

Unit: mm

Symbol	14	17	20	25	32	40	45	50	58	65
øA	52	62	73	88	115	140	160	168	195	213
B	52.5	56.5	51.5	55.5	65.5	79	85	93	106	128



Lightweight, Hollow Shaft SHD-2UH-LW Series



LW indicates lightweight. Axially compact, these gear units feature a large hollow input shaft and a robust cross roller bearing so loads can be mounted directly to the unit without the need for additional support bearings.

- Zero Backlash
- Ultra-flat design
- Large Hollow Input Shaft
- Accuracy <1 arc-min (most sizes)
- Rigid cross roller output bearing
- Lightweight

L_{10} Life: 7,000h

•SHD-2UH-LW Series Ratings

Size	Ratio	Rated Torque at 2000rpm	Limit for Repeated Peak Torque	Limit for Average Torque	Limit for Momentary Peak Torque
		Nm	Nm	Nm	Nm
14	50	3.7	12	4.8	23
	80	5.4	16	7.7	35
	100	5.4	19	7.7	35
17	50	11	23	18	48
	80	15	29	19	61
	100	16	37	27	71
20	120	16	37	27	71
	50	17	39	24	69
	80	24	51	33	89
25	100	28	57	34	95
	120	28	60	34	95
	50	27	69	38	127
32	80	44	96	60	179
	100	47	110	75	184
	120	47	117	75	204

Size	Ratio	Rated Torque at 2000rpm	Limit for Repeated Peak Torque	Limit for Average Torque	Limit for Momentary Peak Torque
		Nm	Nm	Nm	Nm
32	50	53	151	75	268
	80	83	213	117	398
	100	96	233	151	420
40	120	96	247	151	445
	50	96	281	137	480
	80	144	364	198	686
40	100	185	398	260	700
	120	205	432	315	765

• Cross Roller Bearing Specification

Size	Item	Basic Rated Load				Allowable Moment Load M_c		Moment Stiffness K_m	
		Basic Dynamic Rated Load C		Basic Static Rated Load C_0		Nm	In-lb	$\times 10^4 \text{ Nm/rad}$	In-lb/arc.min
		$\times 10^2 \text{ N}$	lb	$\times 10^2 \text{ N}$	lb				
14		29	652	43	967	37	327	7.08	63
17		52	1,169	81	1,821	62	549	12.7	112
20		73	1,641	110	2,473	93	823	21	186
25		109	2,450	179	4,024	129	1,142	31	274
32		191	4,294	327	7,351	290	2,567	82.1	727
40		216	4,856	408	9,172	424	3,753	145	1,283

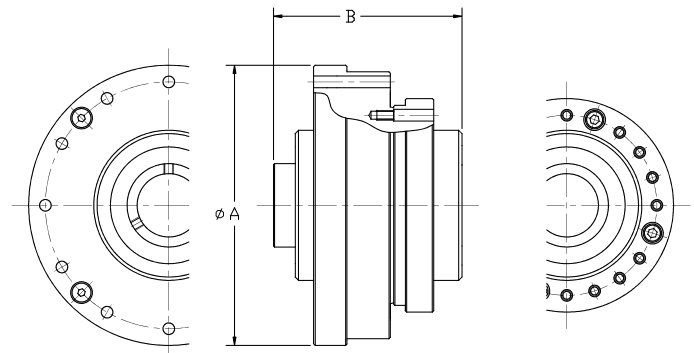
**1: "Basic dynamic rated load" is a constant stationary radial load that achieves a basic dynamic rated life of the bearing of one million revolutions.

**2: "Basic static rated load" is a static load that achieves a contact stress of a constant level (408kN/mm²) at the center of a contact zone between the rolling element receiving a maximum load and track.

•Dimensions

Unit: mm

Size	14	17	20	25	32	40
Symbol						
ϕA	74	84	95	115	147	175
B	45.5	48	42	46.5	55	65



Hollow Shaft, Simplicity Unit SHD-2SH Series



Axially compact, these gear units feature a large hollow input shaft and a robust cross roller bearing so loads can be mounted directly to the unit without the need for additional support bearings.

- Zero backlash
- Extremely flat profile
- Hollow through bore
- High positioning accuracy
- High stiffness cross roller bearing output
- High radial, axial, and moment load capacity

L₁₀ Life: 7,000h

•SHD-2SH Series Ratings

Size	Ratio	Rated Torque at 2000rpm	Limit for Repeated Peak Torque	Limit for Average Torque	Limit for Momentary Peak Torque
		Nm	Nm	Nm	Nm
14	50	3.7	12	4.8	23
	80	5.4	16	7.7	35
	100	5.4	19	7.7	35
17	50	11	23	18	48
	80	15	29	19	61
	100	16	37	27	71
20	50	17	39	24	69
	80	24	51	33	89
	100	28	57	34	95
25	50	27	69	38	127
	80	44	96	60	179
	100	47	110	75	184
32	50	53	151	75	268
	80	83	213	117	398
	100	96	233	151	420
40	50	96	247	151	445
	80	144	364	198	686
	100	185	398	260	700
40	50	96	281	137	480
	80	144	364	198	686
	100	185	398	260	700
40	50	96	281	137	480
	80	144	364	198	686
	100	185	398	260	700
40	50	96	281	137	480
	80	144	364	198	686
	100	185	398	260	700
40	50	96	281	137	480
	80	144	364	198	686
	100	185	398	260	700
40	50	96	281	137	480
	80	144	364	198	686
	100	185	398	260	700

Size	Ratio	Rated Torque at 2000rpm	Limit for Repeated Peak Torque	Limit for Average Torque	Limit for Momentary Peak Torque
		Nm	Nm	Nm	Nm
32	50	53	151	75	268
	80	83	213	117	398
	100	96	233	151	420
40	50	96	247	151	445
	80	144	364	198	686
	100	185	398	260	700
40	50	96	281	137	480
	80	144	364	198	686
	100	185	398	260	700
40	50	96	281	137	480
	80	144	364	198	686
	100	185	398	260	700

•Cross Roller Bearing Specification

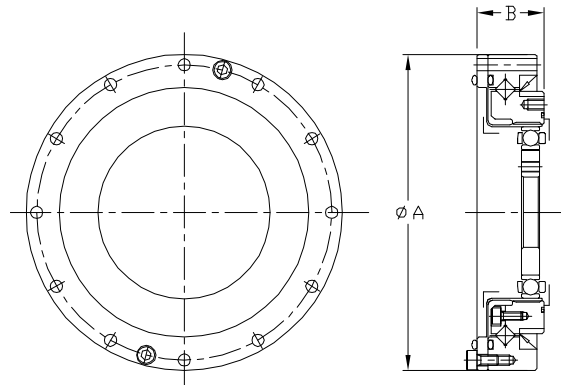
Item	Basic Rated Load				Allowable Moment Load Mc		Moment Stiffness Km	
	Basic Dynamic Rated Load C		Basic Static Rated Load Co		Nm	In-lb	x10 ⁴ Nm/rad	In-lb /arc-min
	x10 ³ N	lb	x10 ³ N	lb				
14	29	652	43	967	37	327	7.08	182
17	52	1169	81	1821	62	549	12.7	327
20	73	1641	110	2473	93	823	21	541
25	109	2450	179	4024	129	1142	31	798
32	191	4294	327	7351	290	2567	82.1	2114
40	216	4856	408	9172	424	3752	145	3734

• "Basic dynamic rated load" is a constant stationary radial load that achieves a basic dynamic rated life of the bearing of one million revolutions.
 "Basic static rated load" is a static load that achieves a contact stress of a constant level (4kN/mm²) at the center of a contact zone between the rolling element receiving a maximum load and track.

•Dimensions

Unit: mm

Size	14	17	20	25	32	40
Symbol						
øA	70	80	90	110	142	170
B	17.5	18.5	19	22	27.9	33



Simplicity gear unit

SHF-2SH/2SO Series



Simplicity Gear Units are Non-housed component gears combined with a precision cross roller output bearing. Simplicity Gear Units do not include the housing and output flange, which allows for even tighter integration into the customer's housing or machine structure.

- Zero backlash
- High positioning accuracy
- Compact and simple design
- High torque capacity
- High torsional stiffness

L_{10} Life: 7,000h

•SHF Series Ratings

Item Size	Ratio	Rated Torque at 2000rpm		Limit for Repeated Peak Torque		Limit for Momentary Peak Torque	
		Nm	In-lb	Nm	In-lb	Nm	In-lb
14	30	4.0	35	9.0	80	17	150
	50	5.4	48	18	159	35	310
	80	7.8	69	23	204	47	416
	100	7.8	69	28	248	54	478
17	30	8.8	78	6	142	30	266
	50	16	142	34	301	70	620
	80	22	195	43	381	87	770
	100	24	212	54	478	110	974
20	120	24	212	54	478	86	761
	30	15	133	27	239	50	443
	50	25	221	56	496	98	867
	80	34	301	74	655	127	1124
25	100	40	354	82	726	147	1301
	120	40	354	87	770	147	1301
	160	40	354	92	814	147	1301
	30	27	239	50	443	95	841
50	50	39	345	98	867	186	1646
	80	63	558	137	1212	255	2257
	100	67	593	157	1389	284	2514
	120	67	593	167	1478	304	2691
160	67	593	176	1558	314	2779	

Item Size	Ratio	Rated Torque at 2000rpm		Limit for Repeated Peak Torque		Limit for Momentary Peak Torque	
		Nm	In-lb	Nm	In-lb	Nm	In-lb
32	30	54	478	100	885	200	1770
	50	76	673	216	1912	382	3381
	80	118	1044	230	2036	568	5027
	100	137	1212	333	2947	647	5726
	120	137	1212	353	3124	686	6072
	160	137	1212	372	3292	686	6072
40	50	137	1212	402	3558	686	6072
	80	206	1823	519	4593	980	8674
	100	265	2345	568	5027	1080	9559
	120	294	2602	617	5460	1180	10444
45	160	294	2602	647	5726	1180	10444
	50	176	1558	500	4425	950	8408
	80	313	2770	706	6248	1270	11240
	100	353	3124	755	6682	1570	13896
50	120	402	3558	823	7284	1760	15577
	160	402	3558	882	7806	1910	16905
	50	245	2168	715	6328	1430	12657
	80	372	3292	941	8328	1860	16462
58	100	470	4160	980	8673	2060	18233
	120	529	4682	1080	9558	2060	18233
	160	529	4682	1180	10443	2450	21684
	50	353	3124	1020	9027	1960	17347
58	80	549	4859	1480	13098	2450	21684
	100	686	6160	1590	14072	3180	28145
	120	745	6593	1720	15222	3330	29473
	160	745	6593	1840	16284	3430	30358

•Cross Roller Bearing Specification

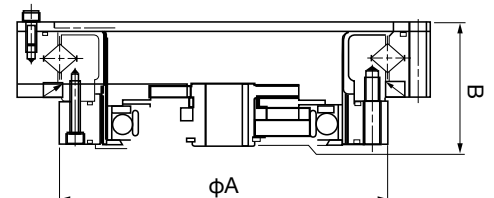
Item Size	Basic Rated Load				Allowable Moment Load Mc		Moment Stiffness Km	
	Basic Dynamic Rated Load C		Basic Static Rated Load Co		Nm	In-lb	x 10 ³ Nm /rad	In-lb/arc-min
	x 10 ³ N	lb	x 10 ³ N	lb				
14	58	1304	86	1933	74	655	8.5	219
17	104	2338	163	3664	124	1097	15.1	389
20	146	3282	220	4946	187	1655	25.2	649
25	218	4901	358	8048	258	2283	39.2	1009
32	382	8587	654	14702	580	5133	100	2575
40	433	9734	816	18344	849	7514	179	4609
45	776	17444	1350	30348	1127	9974	257	6618
50	816	18344	1490	33495	1487	13160	351	9038
58	874	19648	1710	38441	2180	19293	531	13673

• "Basic dynamic rated load" is a constant stationary radial load that achieves a basic dynamic rated life of the bearing of one million revolutions. "Basic static rated load" is a static load that achieves a contact stress of a constant level (408kN/mm²) at the center of a contact zone between the rolling element receiving a maximum load and track.

•Dimensions (2SO)

Size	Unit: mm								
	14	17	20	25	32	40	45	50	58
Symbol									
øA	50	60	70	85	110	135	155	170	195
B	28.5	32.5	33.5	37	44	53	58	64	75.5

*SHG only



SHG-2SH/2SO Series



High Torque versions of our Simplicity Gear Units. Simplicity Gear Units do not include the housing and output flange, which allows for even tighter integration into the customer's housing or machine structure.

- Zero backlash
- High positioning accuracy
- High torque capacity
- High torsional stiffness
- 30% increased torque compared to SHF Units

L₁₀ Life: 10,000h

•SHG Series Ratings

Item Size	Ratio	Rated Torque at 2000rpm		Limit for Repeated Peak Torque		Limit for Momentary Peak Torque	
		Nm	In-lb	Nm	In-lb	Nm	In-lb
14	50	7.0	62	23	204	46	407
	80	10	89	30	266	61	540
	100	10	89	36	319	70	620
17	50	21	186	44	389	91	805
	80	29	257	56	496	113	1000
	100	31	274	70	620	143	1266
20	50	33	292	73	646	127	1124
	80	44	389	96	850	165	1460
	100	52	460	107	947	191	1690
25	50	51	451	127	1124	242	2142
	80	82	726	178	1575	332	2938
	100	87	770	204	1805	369	3266
32	50	99	876	281	2487	497	4399
	80	153	1354	395	3496	738	6532
	100	178	1575	433	3832	841	7443

Item Size	Ratio	Rated Torque at 2000rpm		Limit for Repeated Peak Torque		Limit for Momentary Peak Torque	
		Nm	In-lb	Nm	In-lb	Nm	In-lb
40	50	178	1575	523	4629	892	7895
	80	268	2372	675	5974	1270	11240
	100	345	3053	738	6531	1400	12391
	120	382	3381	802	7098	1530	13542
45	50	229	2027	650	5753	1235	10931
	80	407	3602	918	8124	1651	14613
	100	459	4062	982	8691	2041	18064
	120	523	4629	1070	9470	2288	20250
50	50	229	2027	650	5753	1235	10931
	80	407	3602	918	8124	1651	14613
	100	459	4062	982	8691	2041	18064
	120	523	4629	1070	9470	2288	20250
58	50	229	2027	650	5753	1235	10931
	80	407	3602	918	8124	1651	14613
	100	459	4062	982	8691	2041	18064
	120	523	4629	1070	9470	2288	20250
65	50	229	2027	650	5753	1235	10931
	80	407	3602	918	8124	1651	14613
	100	459	4062	982	8691	2041	18064
	120	523	4629	1070	9470	2288	20250

•Cross Roller Bearing Specification

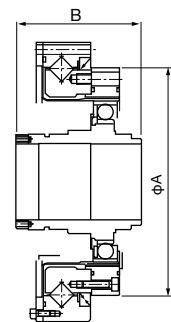
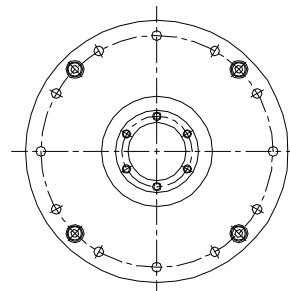
Size	Item	Basic Rated Load				Allowable Moment Load Mc		Moment Stiffness Km	
		Basic Dynamic Rated Load C		Basic Static Rated Load Co		Nm	In-lb	x 10 ⁴ Nm /rad	In-lb/arc-min
		x 10 ² N	lb	x 10 ² N	lb				
14		58	1304	86	1933	74	655	8.5	219
17		104	2338	163	3664	124	1097	15.1	389
20		146	3282	220	4946	187	1655	25.2	649
25		218	4901	358	8048	258	2283	39.2	1009
32		382	8587	654	14702	580	5133	100	2575
40		433	9734	816	18344	849	7514	179	4609
45		776	17444	1350	30348	1127	9974	257	6618
50		816	18344	1490	33495	1487	13160	351	9038
58		874	19648	1710	38441	2180	19293	531	13673
65		1300	29224	2230	50130	2740	24249	741	19081

• "Basic dynamic rated load" is a constant stationary radial load that achieves a basic dynamic rated life of the bearing of one million revolutions.
 • "Basic static rated load" is a static load that achieves a contact stress of a constant level (408kN/mm²) at the center of a contact zone between the rolling element receiving a maximum load and track.

•Dimensions (2SH)

Unit: mm

Size	14	17	20	25	32	40	45	50	58	65
Symbol										
øA	50	60	70	85	110	135	155	175	195	215
B	52.5	56.5	51.5	55.5	65.5	79	85	93	106	128



Phasing Differential FD-2 Series Component



The FD series is an extremely compact differential unit that allows you to fine-tune the phase and timing during operation.

- Pancake
- Ultra compact differential unit
- Backlash is very small and unit requires no assembly adjustment

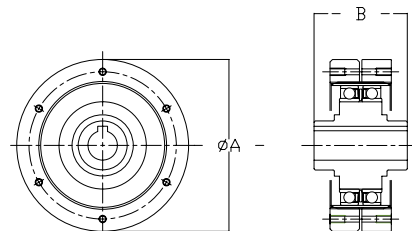
•FD-2 Series Ratings

Size	Ratio	Rotational Speed rpm									
		3500 rpm		2850 rpm		1450 rpm		960 rpm		500 rpm	
		Nm	In-lb	Nm	In-lb	Nm	In-lb	Nm	In-lb	Nm	In-lb
20	80	29	257	30	266	30	266	30	266	30	266
	100	30	266	31	274	36	319	36	319	36	319
	128	31	274	34	301	43	381	43	381	43	381
	160	32	283	35	310	45	398	49	434	49	434
25	80	46	407	50	443	57	504	57	504	57	504
	100	49	434	53	469	67	593	79	699	79	699
	120	52	460	55	487	70	620	82	726	96	850
	160	54	478	57	504	73	646	83	735	108	956
32	200	55	487	59	522	74	655	84	743	108	956
	78	98	867	108	956	108	656	108	956	108	956
	100	108	956	118	1044	147	1301	157	1389	157	1389
	131	108	956	118	1044	157	1389	176	1558	206	1823
40	157	108	956	118	1044	157	1389	176	1558	216	1912
	200	108	956	118	1044	157	1389	176	1558	216	1912
	260	108	956	118	1044	157	1389	176	1558	216	1912
	80	196	1735	196	1735	196	1735	196	1735	196	1735
50	100	235	2080	245	2168	265	2345	265	2345	265	2345
	128	235	2080	245	2168	314	2779	363	3213	372	3292
	160	235	2080	245	2168	314	2779	363	3213	451	3991
	200	235	2080	245	2168	314	2779	363	3213	451	3991
65	258	235	2080	245	2168	314	2779	363	3213	451	3991
	80	353	3124	353	3124	353	3124	353	3124	353	3124
	100	441	3903	470	4160	559	4947	559	4947	559	4947
	120	441	3903	470	4160	588	5204	666	5894	666	5894
80	160	441	3903	470	4160	588	5204	676	5983	843	7461
	200	441	3903	470	4160	588	5204	676	5983	843	7461
	242	441	3903	470	4160	588	5204	676	5983	843	7461
	78	-	-	-	-	764	6761	764	6761	764	6761
100	104	-	-	-	-	1100	9735	1190	10532	1190	10532
	132	-	-	-	-	1100	9735	1250	11063	1570	13895
	158	-	-	-	-	1100	9735	1250	11063	1570	13895
	208	-	-	-	-	1100	9735	1250	11063	1570	13895
125	260	-	-	-	-	1100	9735	1250	11063	1570	13895
	80	-	-	-	-	1370	12125	1370	12125	1370	12125
	96	-	-	-	-	1800	15930	1800	15930	1800	15930
	128	-	-	-	-	2180	19293	2490	22037	2710	23984
160	160	-	-	-	-	2180	19293	2490	22037	3130	27701
	194	-	-	-	-	2180	19293	2490	22037	3130	27701
	258	-	-	-	-	2180	19293	2490	22037	3130	27701
	320	-	-	-	-	2180	19293	2490	22037	3130	27701
200	80	-	-	-	-	2470	21860	2470	21860	2470	21860
	100	-	-	-	-	3720	32922	3720	32922	3720	32922
	120	-	-	-	-	3980	35223	4560	40356	4740	41949
	160	-	-	-	-	3980	35223	4560	40356	5720	50622
250	200	-	-	-	-	3980	35223	4560	40356	5720	50622
	242	-	-	-	-	3980	35223	4560	40356	5720	50622
	320	-	-	-	-	3980	35223	4560	40356	5720	50622
	320	-	-	-	-	3980	35223	4560	40356	5720	50622

•Dimensions

Unit: mm

Size	20	25	32	40	50	65	80	100
Symbol								
øA	70	85	110	135	170	215	265	330
B	25	29	37	43	53	71	83	101



FD-0 Series Unit Type



The FD series is an extremely compact differential unit that allows you to fine-tune the phase and timing during operation. The unit type is provided with the housing so additional gears or pulleys required for the machine can be directly mounted onto it.

- Pancake
- Ultra compact differential unit
- Backlash is very small and unit requires no assembly adjustment

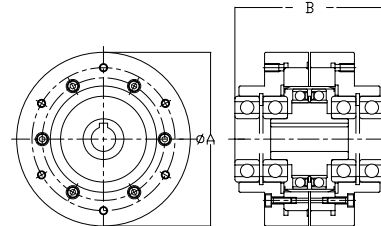
•FD-0 Series Ratings

Size	Ratio	Rotational Speed rpm									
		3500 rpm		2850 rpm		1450 rpm		960 rpm		500 rpm	
		Nm	In-lb	Nm	In-lb	Nm	In-lb	Nm	In-lb	Nm	In-lb
20	80	29	257	30	266	30	266	30	266	30	266
	100	30	266	31	274	36	319	36	319	36	319
	128	31	274	34	301	43	381	43	381	43	381
	160	32	283	35	310	45	398	49	434	49	434
25	80	46	407	50	443	57	504	57	504	57	504
	100	49	434	53	469	67	593	79	699	79	699
	120	52	460	55	487	70	620	82	726	96	850
	160	54	478	57	504	73	646	83	735	108	956
32	200	55	487	59	522	74	655	84	743	108	956
	78	98	867	108	956	108	656	108	956	108	956
	100	108	956	118	1044	147	1301	157	1389	157	1389
	131	108	956	118	1044	157	1389	176	1558	206	1823
40	157	108	956	118	1044	157	1389	176	1558	216	1912
	200	108	956	118	1044	157	1389	176	1558	216	1912
	260	108	956	118	1044	157	1389	176	1558	216	1912
	80	196	1735	196	1735	196	1735	196	1735	196	1735
50	100	235	2080	245	2168	265	2345	265	2345	265	2345
	128	235	2080	245	2168	314	2779	363	3213	372	3292
	160	235	2080	245	2168	314	2779	363	3213	451	3991
	200	235	2080	245	2168	314	2779	363	3213	451	3991
65	258	235	2080	245	2168	314	2779	363	3213	451	3991
	80	353	3124	353	3124	353	3124	353	3124	353	3124
	100	441	3903	470	4160	559	4947	559	4947	559	4947
	120	441	3903	470	4160	588	5204	666	5894	666	5894
80	160	441	3903	470	4160	588	5204	676	5983	843	7461
	200	441	3903	470	4160	588	5204	676	5983	843	7461
	242	441	3903	470	4160	588	5204	676	5983	843	7461
	78	-	-	-	-	764	6761	764	6761	764	6761
100	104	-	-	-	-	1100	9735	1190	10532	1190	10532
	132	-	-	-	-	1100	9735	1250	11063	1570	13895
	158	-	-	-	-	1100	9735	1250	11063	1570	13895
	208	-	-	-	-	1100	9735	1250	11063	1570	13895
120	260	-	-	-	-	1100	9735	1250	11063	1570	13895
	80	-	-	-	-	1370	12125	1370	12125	1370	12125
	96	-	-	-	-	1800	15930	1800	15930	1800	15930
	128	-	-	-	-	2180	19293	2490	22037	2710	23984
150	160	-	-	-	-	2180	19293	2490	22037	3130	27701
	194	-	-	-	-	2180	19293	2490	22037	3130	27701
	258	-	-	-	-	2180	19293	2490	22037	3130	27701
	320	-	-	-	-	2180	19293	2490	22037	3130	27701
200	80	-	-	-	-	2470	21860	2470	21860	2470	21860
	100	-	-	-	-	3720	32922	3720	32922	3720	32922
	120	-	-	-	-	3980	35223	4560	40356	4740	41949
	160	-	-	-	-	3980	35223	4560	40356	5720	50622
250	200	-	-	-	-	3980	35223	4560	40356	5720	50622
	242	-	-	-	-	3980	35223	4560	40356	5720	50622
	320	-	-	-	-	3980	35223	4560	40356	5720	50622
	320	-	-	-	-	3980	35223	4560	40356	5720	50622

•Dimensions

Unit: mm

Size	20	25	32	40	50	65	80	100
Symbol								
øA	85	95	120	145	185	235	290	360
B	73	81	95	113	132	147	178	212



Phasing Differential FBB Series



The FBB was developed as a versatile simple differential drive transmission for direct phasing of rotating elements while they are in motion. Offsetting internal gear ratios deliver a through ratio of 1:1 and trim adjustments can be applied through one or both of two wave generators.

- 1:1 phasing differential between input and output
- High ratio trim adjustment
- Compact, low backlash design for end roll mounting

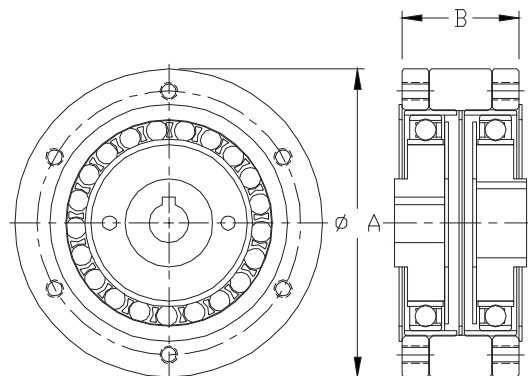
•FBB Series Ratings

Size	Ratio	Maximum Input Speed rpm		Rated Torque @1750 rpm	Maximum Output Torque	No Load Starting Torque	Input Inertia
		Oil	Grease	Nm	Nm	Ncm	kgcm ²
20	80	6000	3500	28	28	3.2	0.14
	100			28	34	3.2	0.14
	120			28	40	3.2	0.14
	160			28	44	3.2	0.14
25	80	5000	3500	46	48	4.2	0.36
	100			46	68	4.2	0.36
	120			46	79	4.2	0.36
	160			46	88	4.2	0.36
32	80	4500	3500	92	107	5.7	1.32
	100			92	136	5.7	1.32
	120			92	158	5.7	1.32
	160			92	175	5.7	1.32
40	80	4000	3000	193	192	19.1	3.42
	100			193	271	19.1	3.42
	120			193	305	19.1	3.42
	160			193	350	19.1	3.42
50	80	3500	2500	359	350	35.3	9.91
	100			359	475	35.3	9.91
	120			359	588	35.3	9.91
	160			359	655	35.3	9.91

•Dimensions

Unit: mm

Size	20	25	32	40	50
Symbol					
ø A	70	85	110	134	170
B	26.5	34.8	42	56.5	-



HDI Infnit-Indexer® Phase Adjuster

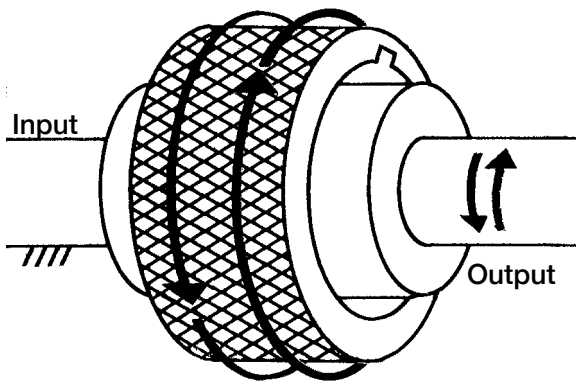


Infnit-Indexer® phase adjusters are available from stock in the standard bore sizes shown with keyways, set screws, and tapped holes for face mounting of either hub. It is possible for the user to modify these configurations by disassembling the unit. The hub material is low carbon steel with suitable sizes shown in notes to the dimensional drawings. Additional sizes and configurations are available by special order.

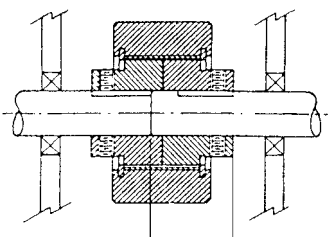
- Fine tune rotational position of shafts and machine parts
- Phase cams
- Adjust roll registration
- Take up backlash in spur and worm gears
- Synchronize indexing devices

•3 Models, 6 Bore Sizes Available From Stock

HDI Size	Bore Size	O.D.	Length	Torque Capacity
-10	1/2" 5/8" 3/4"	2 3/8" (60.33mm)	1 11/16" (42.9mm)	1000 lb-in (113 Nm)
-25	3/4" 1"	3" (76.2mm)	2 3/16" (76.2mm)	2500 lb-in (283 Nm)
-50	1 1/4"	3 3/4" (95.3mm)	2 3/8" (95.3mm)	5000 lb-in (565 Nm)



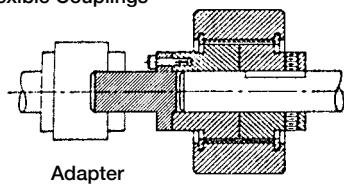
To operate, hand rotate the adjusting ring in either direction to produce a 100:1 reduction between the ring and the output. Adjust the friction adjustment/locking screw to desired resistance. For some applications, one adjustment will be sufficient for both shaft turning and phase adjusting modes. For more severe loading, such as hard stops or high peak torque situations, the friction adjustment/locking screw may be used to lock the adjusting ring in place to maintain phase.



IN-LINE SHAFT

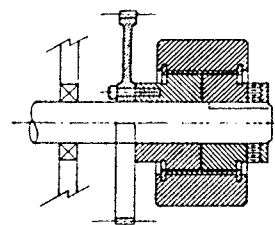
HDI Size	L DIM
-10	1.09
-25	1.34
-50	1.43

Flexible Couplings



Adapter

IN-LINE SHAFT

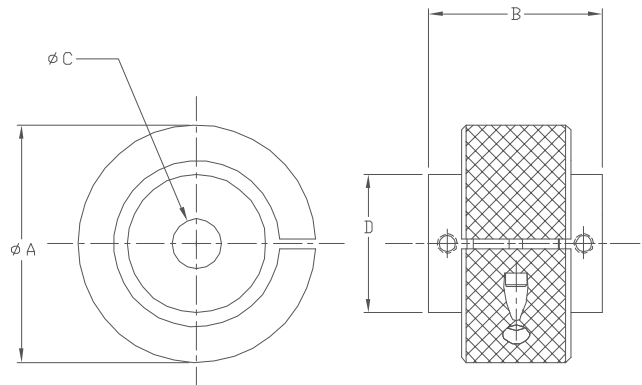


CONCENTRIC SHAFT

•Dimensions

Unit: inch

Size	10	10	10	25	25	50
øA	2.38	2.38	2.38	3.00	3.00	3.75
B	1.69	1.69	1.69	2.19	2.19	2.37
øC	0.500	0.625	0.750	0.750	1.000	1.250
D	1.38	1.38	1.38	1.75	1.75	2.17



Quick Connect® Gearhead for Servomotors CSF-GH Series



CSF-GH Quick Connect® gearheads with zero-backlash Harmonic Drive® gearing are available with high reduction ratios, 50:1 to 160:1. CSF-GH utilizes our proprietary S tooth profile and provides high precision positioning (repeatability ± 4 to ± 10 arc-sec).

- Zero Backlash
- Available in 5 Sizes
- Peak torque 18Nm ~ 2630Nm
- Ratios, 50:1 to 160:1
- Accuracy <1 arc-min
- High Efficiency
- High load capacity output bearing
- Motor size range 30W to 5,000W

L_{10} Life: 7,000h

•CSF-GH Series Ratings

Item Size	Ratio	Rated Torque at 2000rpm		Limit for Repeated Peak Torque		Limit for Momentary Peak Torque	
		Nm	In-lb	Nm	In-lb	Nm	In-lb
14	50	5.4	48	18	159	35	310
	80	7.8	69	23	204	47	416
	100	7.8	69	28	248	54	478
20	50	25	221	56	496	98	867
	80	34	301	74	655	127	1124
	100	40	354	82	726	147	1301
	120	40	354	87	770	147	1301
32	160	40	354	92	814	147	1301
	50	76	673	216	1912	382	3381
	80	118	1044	304	2690	568	5027
	100	137	1212	333	2947	647	5726
45	120	137	1212	353	3124	686	6071
	160	137	1212	372	3292	686	6071
	50	176	1558	500	4425	950	8408
	80	313	2770	706	6248	1270	11240
65	100	353	3124	755	6682	1570	13895
	120	402	3558	823	7284	1760	15576
	160	402	3558	882	7806	1910	16904
	80	745	6593	2110	18674	3720	32922
65	100	951	8416	2300	20355	4750	42038
	120	951	8416	2510	22214	4750	42038
	160	951	8416	2630	23276	4750	42038

•Cross Roller Bearing Specification

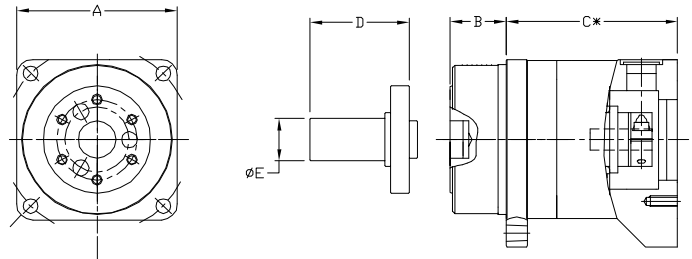
Item Size	Basic Rated Load				Allowable Moment Load Mc		Moment Stiffness Km	
	Basic Dynamic Rated Load C		Basic Static Rated Load Co		Nm	In-lb	$\times 10^4$ Nm/rad	In-lb/ arc.min
	N	lb	N	lb				
14	5110	1149	7060	1587	27	239	3.0	77
20	10600	2383	17300	3889	145	1283	17	438
32	20500	4608	32800	7373	258	2283	42	1082
45	41600	9352	76000	17085	797	7054	100	2575
65	81600	18344	149000	33495	2156	19082	323	8317

• "Basic dynamic rated load" is a constant stationary radial load that achieves a basic dynamic rated life of the bearing of one million revolutions.
 • "Basic static rated load" is a static load that achieves a contact stress of a constant level (4kN/mm²) at the center of a contact zone between the rolling element receiving a maximum load and track.

•Dimensions

Unit: mm

Size Symbol	14	20	32	45	65
A	60	90	120	170	230
B	21	27	35	53	57
C (ref.)	55	72	105.5	128	157
D	37	53	98	103	135
ϕE	16	25	40	50	70



* The length and shape of the motor adapter flange will depend upon the specific motor that is selected for use with the gearhead. Please contact Harmonic Drive LLC for a detailed drawing.

CSG-GH Series



CSG-GH high-torque Quick Connect® gearheads with zero backlash Harmonic Drive® gearing are available with high reduction ratios, 50:1 to 160:1.

- Zero Backlash
- Available in 5 Sizes
- Peak torque 23Nm ~ 3419Nm
- Ratios, 50:1 to 160:1
- Accuracy <1 arc-min
- High Efficiency
- High load capacity output bearing
- Motor size range 30W to 5,000W
- 30% higher rated torque, repeated peak torque & maximum momentary torque than CSF series products of the same size

L₁₀ Life: 10,000 h

•CSG-GH Series Ratings

Item Size	Ratio	Rated Torque at 2000rpm		Limit for Repeated Peak Torque		Limit for Momentary Peak Torque	
		Nm	In-lb	Nm	In-lb	Nm	In-lb
14	50	7.0	62	23	204	46	407
	80	10	89	30	266	61	540
	100	10	89	36	319	70	620
20	50	33	292	73	646	127	1124
	80	44	389	96	850	165	1460
	100	52	460	107	947	191	1690
	120	52	460	113	1000	191	1690
	160	52	460	120	1062	191	1690
32	50	99	876	281	2487	497	4399
	80	153	1354	395	3496	738	6532
	100	178	1575	433	3832	812	7187
	120	178	1575	459	4062	812	7187
45	50	229	2027	650	5753	1235	10931
	80	407	3602	918	8125	1651	14613
	100	459	4062	982	8691	2033	17994
	120	523	4629	1070	9470	2033	17994
65	50	523	4629	1147	10152	2033	17994
	80	969	8576	2743	24278	4836	42802
	100	1236	10940	2990	26464	5174	45794
	120	1236	10940	3263	28880	5174	45794
	160	1236	10940	3419	30261	5174	45794

•Cross Roller Bearing Specification

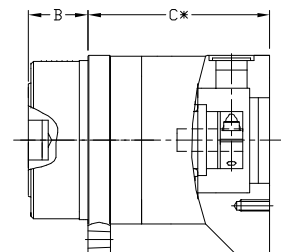
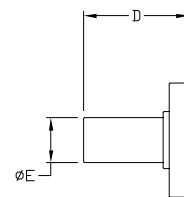
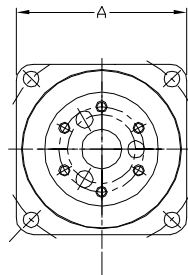
Item Size	Basic Rated Load				Allowable Moment Load Mc		Moment Stiffness Km	
	Basic Dynamic Rated Load C		Basic Static Rated Load Co		Nm	In-lb	x10 ⁴ Nm/rad	In-lb/ arc.min
	N	lb	N	lb				
14	5110	1149	7060	1587	27	239	3.0	77
20	10600	2383	17300	3889	145	1283	17	438
32	20500	4608	32800	7373	258	2283	42	1082
45	41600	9352	76000	17085	797	7054	100	2575
65	81600	18344	149000	33495	2156	19082	323	8317

• "Basic dynamic rated load" is a constant stationary radial load that achieves a basic dynamic rated life of the bearing of one million revolutions.
 "Basic static rated load" is a static load that achieves a contact stress of a constant level (4kN/mm²) at the center of a contact zone between the rolling element receiving a maximum load and track.

•Dimensions

Unit: mm

Size Symbol	14	20	32	45	65
A	60	90	120	170	230
B	21	27	35	53	57
C (ref.)	55	72	105.5	128	157
D	37	53	98	103	135
øE	16	25	40	50	70



* The length and shape of the motor adapter flange will depend upon the specific motor that is selected for use with the gearhead. Please contact Harmonic Drive LLC for a detailed drawing.

Harmonic Planetary® Gearhead Quick Connect® Coupling HPG Series



Quick Connect® gearhead for high performance servo motors. Reduction ratios 3:1 to 50:1. Available with flange output, straight shaft (without key), straight shaft (with key) and center tapped hole.

- Low backlash: Less than 3 arc-min (less than 1 arc-min optional)
- Ratios: 3:1 to 50:1
- Quick Connect® coupling
- Peak torque: 5Nm ~ 3200Nm
- High moment capacity cross roller output bearing
- High efficiency
- Sealed structure
- Motor size range 10W to 15kW

L₁₀ Life: 20,000 h

•HPG Series Ratings

Size	Ratio	Rated Torque at 3000 rpm		Limit for Repeated Peak Torque		Limit for Momentary Peak Torque	
		Nm	In-lb	Nm	In-lb	Nm	In-lb
11	5	2.5	22	7.8	69	20	177
	9	2.5	22	3.9	35	20	177
	21	3.4	30	9.8	87	20	177
	37	3.4	30	9.8	87	20	177
	45	3.4	30	9.8	87	20	177
14	3	2.9	26	15	133	37	327
	5	5.9	52	23	204	56	496
	11	7.8	69	23	204	56	496
	15	9.0	80	23	204	56	496
	21	9	78	23	204	56	496
	33	10	89	23	204	56	496
20	3	8.8	78	64	566	124	1097
	5	16	142	100	885	217	1920
	11	20	177	100	885	217	1920
	15	24	212	100	885	217	1920
	21	25	221	100	885	217	1920
	33	29	257	100	885	217	1920

Size	Ratio	Rated Torque at 3000 rpm		Limit for Repeated Peak Torque		Limit for Momentary Peak Torque	
		Nm	In-lb	Nm	In-lb	Nm	In-lb
32	3	31	274	225	1991	507	4487
	5	66	584	300	2655	650	5753
	11	88	779	300	2655	650	5753
	15	92	814	300	2655	650	5753
	21	98	867	300	2655	650	5753
	33	108	956	300	2655	650	5753
50	3	97	858	657	5814	1850	16373
	5	170	1505	850	7523	1850	16373
	11	200	1770	850	7523	1850	16373
	15	230	2036	850	7523	1850	16373
	21	260	2301	850	7523	1850	16373
	33	270	2390	850	7523	1850	16373
65	4	500	4425	2200	19470	4500	39825
	5	530	4691	2200	19470	4500	39825
	12	600	5310	2200	19470	4500	39825
	15	730	6461	2200	19470	4500	39825
	20	800	7080	2200	19470	4500	39825
	25	850	7523	2200	19470	4500	39825
	40	640	5664	1900	16816	4500	39825
	50	750	6638	2200	19472	4500	39825

•Cross Roller Bearing Specification

Item	Basic Rated Load				Allowable Moment Load MC		Moment Stiffness Km	
	Basic Dynamic Rated Load C		Basic Static Rated Load Co		Nm	In-lb	x10 ⁴ Nm/rad	In-lb/arc-min
	N	lb	N	lb				
11	3116	700	4087	919	9.50	84	0.88	23
14	5110	1149	7060	1587	32.3	286	3.0	77
20	10600	2383	17300	3889	183	1620	16.8	433
32	20600	4631	32800	7373	452	4000	42.1	1084
50	41600	9352	76000	17085	1076	9523	100	2575
65	90600	20367	14800	33270	3900	34515	364	9373

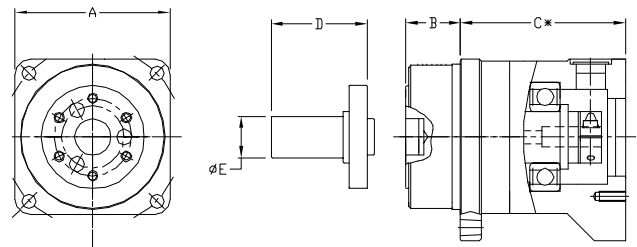
•Dimensions

Unit: mm

Size	11	14	20	32	50	65
Symbol						
A	40	60	90	120	170	230
B	15	21	27	35	53	57
C (ref.)	30.5	64	71	104	123	184.5
D	27	37	53	98	103	-
øE	8	16	25	40	50	-

* The length and shape of the motor adapter flange will depend upon the specific motor that is selected for use with the gearhead. Please contact Harmonic Drive LLC for a detailed drawing.

--- Size 65—Shaft is available as special request. ---



HPG Helical Series



Quick Connect® gearhead for high performance servo motors. Reduction ratios 3:1 to 10:1. Available with flange output, straight shaft (without key), straight shaft (with key) and center tapped hole.

- Helical Gearing
- Available in four Frame Sizes
- Peak Torque: 5Nm to 400Nm
- Ratios: 3,4,5,6,7,8,9 and 10:1
- High Efficiency
- Backlash <3 arc-min (<1arc-min available as an option)
- Repeatability ±20 arc-sec
- High load capacity Cross Roller output bearing
- Quick Connect® coupling for easy mounting of any motor

L₁₀ Life: 20,000 h

•HPG Helical Series Ratings

Size	Ratio	Rated Torque at 3000 rpm		Limit for Repeated Peak Torque		Limit for Momentary Peak Torque	
		Nm	In-lb	Nm	In-lb	Nm	In-lb
11	4	2.8	25	10	89	20	177
	5	2.9	26	10	89	20	177
	6	2.9	26	10	89	20	177
	7	3.1	27	9	80	20	177
	8	3.1	27	7	62	20	177
	9	3.1	27	6	53	20	177
	10	3.4	30	5	44	20	177
14	3	4.0	35	20	177	37	327
	4	7.0	62	30	266	56	496
	5	7.2	64	30	266	56	496
	6	7.3	65	30	266	56	496
	7	7.8	69	26	266	56	496
	8	7.8	69	20	177	56	496
	9	7.9	70	17	150	56	496
	10	8.5	75	15	133	56	496

Size	Ratio	Rated Torque at 3000 rpm		Limit for Repeated Peak Torque		Limit for Momentary Peak Torque		
		Nm	In-lb	Nm	In-lb	Nm	In-lb	
20	3	11	97	90	797	124	1097	
	4	23	203	133	1177	217	1921	
	5	23	203	133	1177	217	1921	
	6	23	203	126	1115	217	1921	
	7	25	221	108	956	217	1921	
	8	25	221	84	743	217	1921	
	9	25	221	73	646	217	1921	
	10	27	239	65	575	217	1921	
	32	3	50	443	290	2567	507	4487
		4	77	682	400	3540	650	5753
5		80	708	400	3540	650	5753	
6		80	708	390	3452	650	5753	
7		85	867	330	2921	650	5753	
8		85	752	260	2301	650	5753	
9		86	752	220	1947	650	5753	
10		92	814	200	1770	650	5753	

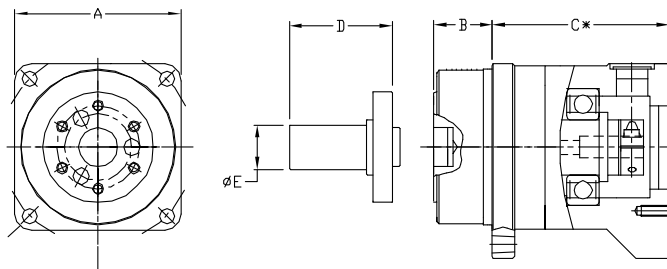
•Cross Roller Bearing Specification

Item	Basic Rated Load				Allowable Moment Load MC		Moment Stiffness Km	
	Basic Dynamic Rated Load C		Basic Static Rated Load Co		Nm	In-lb	x10 ⁴ Nm/rad	In-lb/arc-min
	N	lb	N	lb				
11	3116	700	4087	919	9.50	84	0.88	23
14	5110	1149	7060	1587	32.3	286	3.0	77
20	10600	2383	17300	3889	183	1620	16.8	433
32	20600	4631	32800	7373	452	4000	42.1	1084

•Dimensions

Unit: mm

Size	11	14	20	32
A	40	60	90	120
B	15	21	27	35
C (ref.)	30.5	64	71	104
D	27	37	53	98
øE	8	16	25	40



* The length and shape of the motor adapter flange will depend upon the specific motor that is selected for use with the gearhead. Please contact Harmonic Drive LLC for a detailed drawing.

Harmonic Planetary® Gearhead
Quick Connect® Coupling
HPGP Series



High torque Quick Connect® gearhead for high performance servo motors. Reduction ratios 4:1 to 45:1. Available with flange output, Straight shaft (without key), Straight shaft (with key) and center tapped hole.

- Peak torque 12Nm ~ 3940Nm
- High precision
- Backlash <1 arc-min is available (size #14-65) (Standard backlash specification is < 3 arc-min)
- Cross roller bearing for high load capacity and moment stiffness
- Quick Connect® coupling
- Ratios, Single Stage: 4:1 to 5:1, Two Stage: 11:1 to 45:1
- Motor size range 10W to 15kW

L₁₀ Life: 20,000h

•HPGP Series Ratings

Item Size	Ratio	Rated Torque at 2000rpm	Limit for Repeated Peak Torque	Limit for Momentary Peak Torque
		Nm	Nm	Nm
11	5	3.4	12	20
	21	4.6	13	
	37			
	45			
14	5	7.8	39	56
	11	10	38	63
	15	12	39	
	21	12		
	33	13		
45	13			
20	5	21	133	217
	11	26	156	
	15	32	142	
	21	33		
	33	39		
45	39	142		

Item Size	Ratio	Rated Torque at 2000rpm	Limit for Repeated Peak Torque	Limit for Momentary Peak Torque
		Nm	Nm	Nm
32	5	87	400	400
	11	104	440	650
	15	122	400	
	21	130	400	
	33	143	440	
50	45	143	400	1850
	5	226	1460	
	11	266	1460	
	15	306	1500	
	21	346	1460	
65	33	359	1460	2180
	45	359	1360	
	4	665	3520	
	5	705	3790	
	12	798	3790	
65	15	971	3940	4500
	20	1060	3790	
	25	1130	3840	

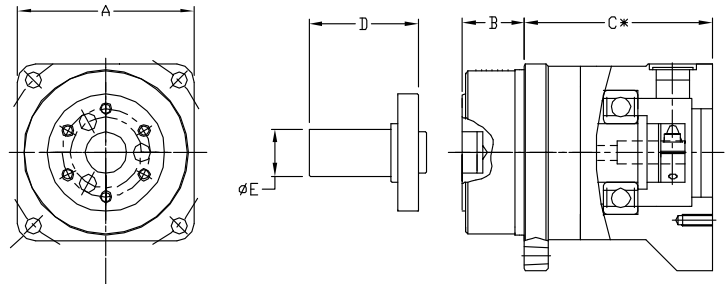
•Cross Roller Bearing Specification

Item Size	Basic Rated Load				Allowable Moment Load MC		Moment Stiffness Km	
	Basic Dynamic Rated Load C		Basic Static Rated Load Co		Nm	In-lb	x10 ⁴ Nm/rad	In-lb/arc-min
	N	lb	N	lb				
11	3116	700	4087	919	9.50	84	0.88	23
14	5110	1149	7060	1587	32.3	286	3.0	77
20	10600	2383	17300	3889	183	1620	16.8	433
32	20600	4631	32800	7373	452	4000	42.1	1084
50	41600	9352	76000	17085	1076	9523	100	2575
65	90600	20367	148000	33270	3900	34515	364	9373

•Dimensions

Unit: mm

Size	11	14	20	32	50	65
A	40	60	90	120	170	230
B	15	21	27	35	53	57
C (ref.)	30.5	64	71	104	123	184.5
D	27	37	53	98	103	-
øE	10	16	25	40	50	-



* The length and shape of the motor adapter flange will depend upon the specific motor that is selected for use with the gearhead. Please contact Harmonic Drive LLC for a detailed drawing.

---- Size 65—Shaft is available as special request. ---

Right Angle Harmonic Planetary® Gearhead
Quick Connect® Coupling
HPG RA Series



Right angle, high precision, Harmonic Planetary® gearhead with low backlash.

- High precision Planetary gearhead
- Low backlash: Less than 3 arc-min (less than 1 arc-min optional)
- Quick Connect® coupling
- High torque capacity
- High moment capacity cross roller output bearing
- Right angle configuration allows for use in limited space

L_{10} Life: 20,000 h

•HPG RA Series Ratings

Size	Model	Ratio	Rated Torque	Limit for Average Load Torque ¹	Limit for Repeated Peak Torque ²	Limit for Momentary Peak Torque ³
			Nm	Nm	Nm	Nm
32	RA3	5	66	150	150	200
		11	88	170	330	440
		15	92	170	300	600
		21	98	170	300	650
		33	108	200	330	650
		45	108	200	300	650
50	RA3	5	150	150	150	200
		11	170	330	330	440
		15	200	450	450	600
		21	200	500	630	840
		33	230	500	990	1320
		45	230	500	1140	1800

Size	Model	Ratio	Rated Torque	Limit for Average Load Torque ¹	Limit for Repeated Peak Torque ²	Limit for Momentary Peak Torque ³
			Nm	Nm	Nm	Nm
50	RA5	5	260	340	400	500
		12	260	400	880	1100
		15	270	450	1200	1500
		21	270	500	1150	2100
		33	270	500	1140	2180
		45	270	500	1140	2180
65	RA5	5	400	400	400	500
		12	600	960	960	1200
		15	730	1200	1200	1500
		20	800	1500	1600	2000
		25	850	1500	2000	2500
		40	640	1300	1900	4000
		50	750	1500	2200	4500

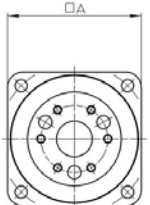
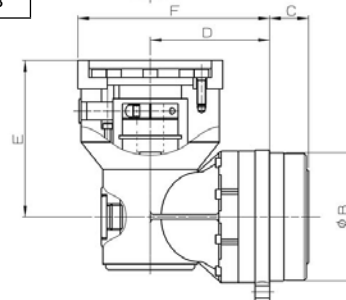
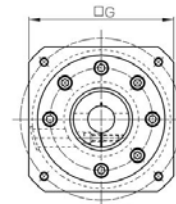
*1: Average load torque calculated based on the application motion profile must not exceed values shown in the table.

*2: The limit for torque during start and stop cycles. Always operate below this value.

*3: The limit for torque during emergency stops or from external shock loads.

•Cross Roller Bearing Specification

Item	Basic Rated Load				Allowable Moment Load MC		Moment Stiffness Km	
	Basic Dynamic Rated Load C		Basic Static Rated Load Co		Nm	In-lb	x10 ⁴ Nm/rad	In-lb/arc-min
	N	lb	N	lb				
32	20500	4608	32800	7373	452	4000	42.1	1084
50	41600	9352	76000	17085	1076	9523	100	2575
65	90600	20367	148000	33270	3900	34515	364	9373



•Dimensions

Unit: mm

Size	A	øB	C	D	E*	F	G
32	120	115h7	35	107	140/175	175/197/217	130/180/220
50	170	165h8	53	144	168/200	209/234/254	130/180/220
65	230	220h8	57	226	168/200	291/316/336	130/180/220

* Left side description: The limited length of the Motor shaft is 81mm. Right side description: The limited length of the Motor shaft is 116mm.

Note: Dimensions F & G depend on the chosen Motor flange square size. Contact Harmonic Drive LLC for special flange motor combination.

Harmonic Planetary® Gearhead Quick Connect® Coupling HPN-A Series



HPN value series planetary gearheads feature a robust design utilizing helical gears for quiet performance and long life. These gearheads are available with short lead times and are designed to couple to any servo motor with our Quick Connect® coupling system.

- Peak torque 9Nm to 752Nm
- Compact design
- High precision
- Backlash <5 arc-min (One-stage) , < 7 arc-min (Two-stage)
- Quick Connect® coupling system
- Reduction ratios between 3:1 and 50:1
- Helical gears for quiet performance
- Motor size range 30W to 7.5kw
- Quick delivery

L₅₀ Life: 20,000 h

•HPN-A Series Ratings

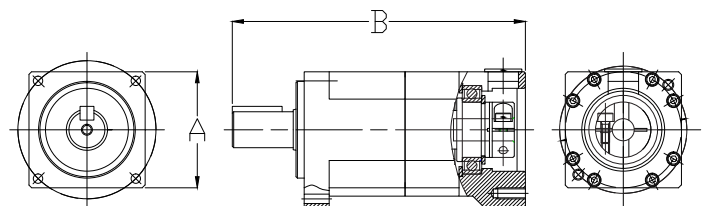
Size	Number of Stages	Ratio	Rated Torque	Repeated Peak Torque	Momentary Peak Torque
			Nm	Nm	Nm
11	1	4	14	14	40
		5	14	16	40
		7	11	11	40
		10	9	9	40
	2	15	18	24	40
		20	22	24	40
		25	20	24	40
		30	25	26	40
		35	26	26	40
		40	26	26	40
14	1	3	22	25	89
		4	28	50	110
		5	29	50	107
		7	30	37	100
		10	18	18	79
	2	15	30	43	97
		20	30	49	100
		25	30	38	102
		30	40	48	98
		35	40	49	99
20	1	40	30	38	100
		45	30	38	100
		50	26	26	94
		3	51	74	226
		4	80	130	256
	2	5	80	149	256
		7	80	113	256
		10	54	54	216
		15	80	129	256
		20	80	147	256
2	25	80	114	256	

Size	Number of Stages	Ratio	Rated Torque	Repeated Peak Torque	Momentary Peak Torque
			Nm	Nm	Nm
20	2	30	80	139	250
		35	80	112	256
		40	80	112	256
		45	80	112	256
		50	75	75	216
32	1	3	153	254	625
		4	198	376	625
		5	200	376	625
		7	200	376	625
		10	185	185	625
	2	15	200	376	625
		20	200	376	625
		25	200	376	625
		30	250	376	625
		35	250	376	625
40	1	40	300	376	625
		45	300	376	625
		50	251	251	625
		3	440	752	1137
		4	460	752	1265
	2	5	480	752	1265
		7	510	752	829
		10	480	509	829
		15	530	752	1265
		20	600	752	1265
2	25	650	752	1127	
	30	650	752	1265	
	35	700	752	1127	
	40	700	752	1127	
	45	700	752	1127	
2	50	562	562	1162	

•Dimensions

Unit: mm

Size		11A	14A	20A	32A	40A
Symbol	A	42	60	90	115	142
B	One Stage	93.5	117	160-184.5	200-264.5	282.5-328.5
	Two Stage	113	142	175-206.2	217.5-246.5	327-348



Dimensions depend upon the motor selected. Dimensions shown in the table are a typical range for reference only. Contact HDLLC for detailed dimensions of the gear used for your motor.

Harmonic Planetary® Gearhead
Quick Connect® Coupling
HPN-L Series



HPN face-mount value series planetary gearheads feature a robust design utilizing helical gears for quiet performance and long life. These gearheads are available with short lead times and are designed to couple to any servo motor with our Quick Connect® coupling system.

- Peak torque: 9Nm to 752Nm
- Available in 5 Frame Sizes
- High efficiency
- Backlash <5 arc-min (One-stage) , < 7 arc-min (Two-stage)
- Quick Connect® coupling system
- Reduction ratios between 3:1 and 50:1
- Helical gears for quiet performance
- Motor size range 30W to 7.5kW
- Quick delivery

L_{50} Life: 20,000 h

•HPN-L Series Ratings

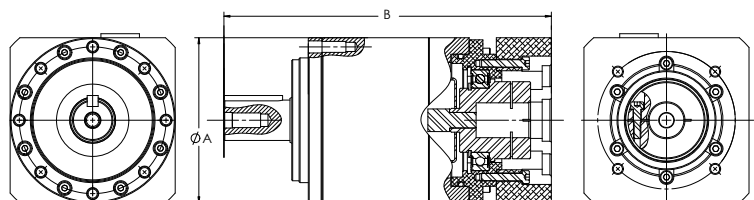
Size	Number of Stages	Ratio	Rated Torque	Repeated Peak Torque	Momentary Peak Torque		
			Nm	Nm	Nm		
11	1	4	14	14	40		
		5	14	16	40		
		7	11	11	40		
		10	9	9	40		
	2	15	18	24	40		
		20	22	24	40		
		25	20	24	40		
		30	25	26	40		
		35	26	26	40		
		40	26	26	40		
		45	26	26	40		
		50	26	26	40		
		14	1	3	22	25	89
				4	28	50	110
5	29			50	107		
7	30			37	100		
10	18			18	79		
15	30			43	97		
2	20		30	49	100		
	25		30	38	102		
	30		40	48	98		
	35		40	49	99		
	40		30	38	100		
	45		30	38	100		
	50		26	26	94		
	20		1	3	51	74	226
4		80		130	256		
5		80		149	256		
7		80		113	256		
10		54		54	216		
15		80		129	256		
2		20	80	147	256		
		25	80	114	256		

Size	Number of Stages	Ratio	Rated Torque	Repeated Peak Torque	Momentary Peak Torque	
			Nm	Nm	Nm	
20	2	30	80	139	250	
		35	80	112	256	
		40	80	112	256	
		45	80	112	256	
		50	75	75	216	
		50	75	75	216	
	32	1	3	153	254	625
			4	198	376	625
			5	200	376	625
			7	200	376	625
10			185	185	625	
15			200	376	625	
20			200	376	625	
25			200	376	625	
2		30	250	376	625	
		35	250	376	625	
		40	300	376	625	
		45	300	376	625	
		50	251	251	625	
		50	251	251	625	
40	1	3	440	752	1137	
		4	460	752	1265	
		5	480	752	1265	
		7	510	752	829	
		10	480	509	829	
		15	530	752	1265	
		20	600	752	1265	
		25	650	752	1127	
	2	30	650	752	1265	
		35	700	752	1127	
		40	700	752	1127	
		45	700	752	1127	
		50	562	562	1162	
		50	562	562	1162	

•Dimensions

Unit: mm

Size		11L	14L	20L	32L	40L
Symbol						
A		50	70	90	120	155
B	One Stage	88	>109	150.9-174.8	212.5-251	292.5-358
	Two Stage	107.5	>134	178.5-196.5	248.6-272.5	338.5-358



Harmonic Planetary® Gearhead
Quick Connect® Coupling

HPN-RA Series




HPN Right Angle value series planetary gearheads feature a robust design utilizing helical gears for quiet performance and long life. These gearheads are available with short lead times and are designed to couple to any servo motor with our Quick Connect® coupling.

- Peak torque 9Nm to 752Nm
- Backlash <6 arc-min (One-stage) , <9 arc-min (Two-stage)
- Quick Connect® coupling
- Reduction ratios between 3:1 and 50:1
- Helical gears for quiet performance

•HPN-RA Series Ratings

Size	Number of stages	Ratio	Rated Torque	Limit for repeated peak torque	Limit for momentary torque	Backlash	Max. input speed	Rated input speed	
			Nm	Nm	Nm	arc-min	rpm	rpm	
11	1	4	14	14	40	<9	10,000		
		5	14	16	40	<8			
		7	11	11	40	<7			
		10	9	9	40				
14	1	3	21	21	78	<6	6,000		
		4	28	28	104				
		5	29	35	107				
		7	30	37	100				
	2		10	18	18	79			<9
			15	30	43	97			
			20	30	49	100			
			25	30	38	102			
			30	40	48	98			
			35	40	49	99			
			40	30	38	100			
			45	30	38	100			
20	1	3	45	45	147	<6	6,000		
		4	60	60	196				
		5	75	75	245				
		7	80	105	256				
	2		10	54	54	216		<9	
			15	80	105	256			
			20	80	140	256			
			25	80	114	256			
			30	80	139	250			
			35	80	112	256			
			40	80	112	256			
			45	80	112	256			
32	1	3	84	84	288	<6	6,000		
		4	112	112	384				
		5	139	139	480				
		7	195	195	625				
	2		10	185	185	625		<9	
			15	200	225	625			
			20	200	297	625			
			25	200	371	625			
			30	250	376	625			
			35	250	376	625			
			40	300	376	625			
			45	300	376	625			
40	1	3	186	186	1104	<6	6,000		
		4	245	245	1265				
		5	310	310	1265				
		7	430	430	829				
	2		10	480	509	829		<9	
			15	417	417	1265			
			20	555	555	1265			
			25	650	694	1127			
			30	650	752	1265			
			35	700	752	1127			
			40	700	752	1127			
			45	700	752	1127			
50	562	562	1162						

Hollow Shaft Planetary Gear HPF Series



Hollow shaft planetary gear with output flange. The flange is integrated with a robust cross-roller bearing which can support high axial, radial and moment loads without the need for additional support bearings.

- Hollow Shaft Structure
- Coaxial input and output shafts
- Cross Roller Output Bearing
- Backlash < 3 arc-min
- The precision HPF planetary gear is also available in our SHA Series Hollow Shaft Brushless Actuators as a standard product

L₁₀ Life: 20,000 h

•HPF Series Ratings

Size	Item	Ratio	Rated Torque		Limit for Repeated Peak Torque		Limit for Momentary Torque	
			Nm	In-lb	Nm	In-lb	Nm	In-lb
25		11	21	186	100	885	170	1505
32		11	44	389	220	1947	450	3983

• Cross Roller Bearing Specification

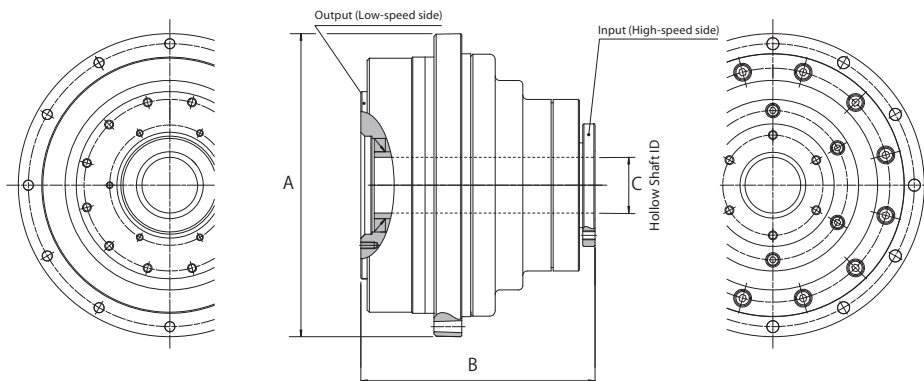
Size	Item	Basic Rated Load				Allowable Moment Load Mc		Moment Stiffness Km	
		Basic Dynamic Rated Load C		Basic Static Rated Load Co		Nm	In-lb	x10 ⁴ Nm/rad	In-lb/arc.min
		N	lb	N	lb				
25		11400	2563	20300	4564	410	3629	37.9	335
32		22500	5058	39900	8970	932	8249	86.1	762

**1: "Basic dynamic rated load" is a constant stationary radial load that achieves a basic dynamic rated life of the bearing of one million revolutions.

**2: "Basic static rated load" is a static load that achieves a contact stress of a constant level (408kN/mm²) at the center of a contact zone between the rolling element receiving a maximum load and track.

Unit: mm

Symbol	Size	25	32
A		136	167
B		105.1	125.5
C		25	30



HPG Rack and Pinion Assembly



High accuracy helical rack and pinion sets are designed for high positioning accuracy and low noise. By having complete control over the design of the system, Harmonic Drive delivers max power density with high linear stiffness and high precision. The RK systems from Harmonic Drive are ideal for CNC machining centers, metal cutting machines, laser machines and high-precision milling machines.

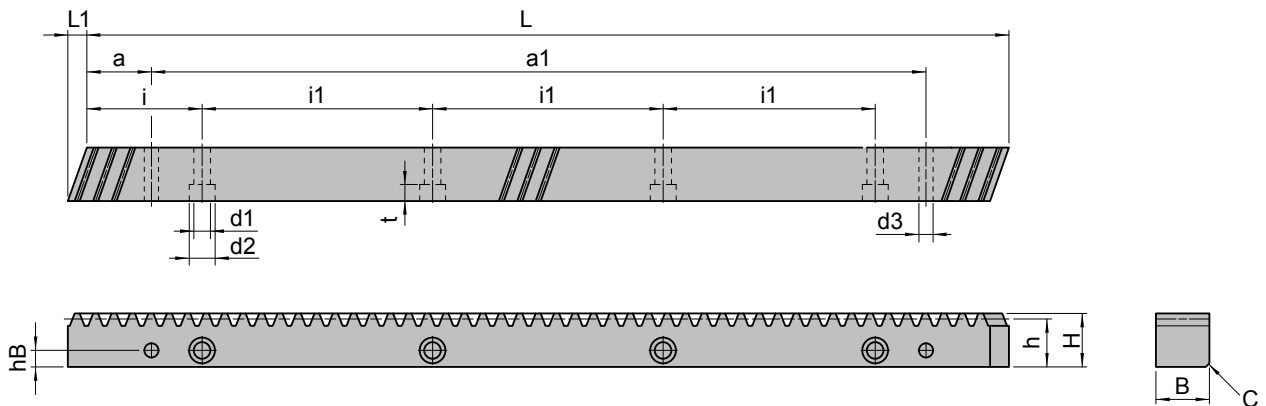
- High-Precision Planetary Gearhead HPG Series + Rack & Pinion
- High accuracy helical rack and pinion
- Higher positioning accuracy
- Runout accuracy of the pinion gear installed on the gearhead is 15µm or less
- Low noise and vibration due to ground finish helical rack and pinion

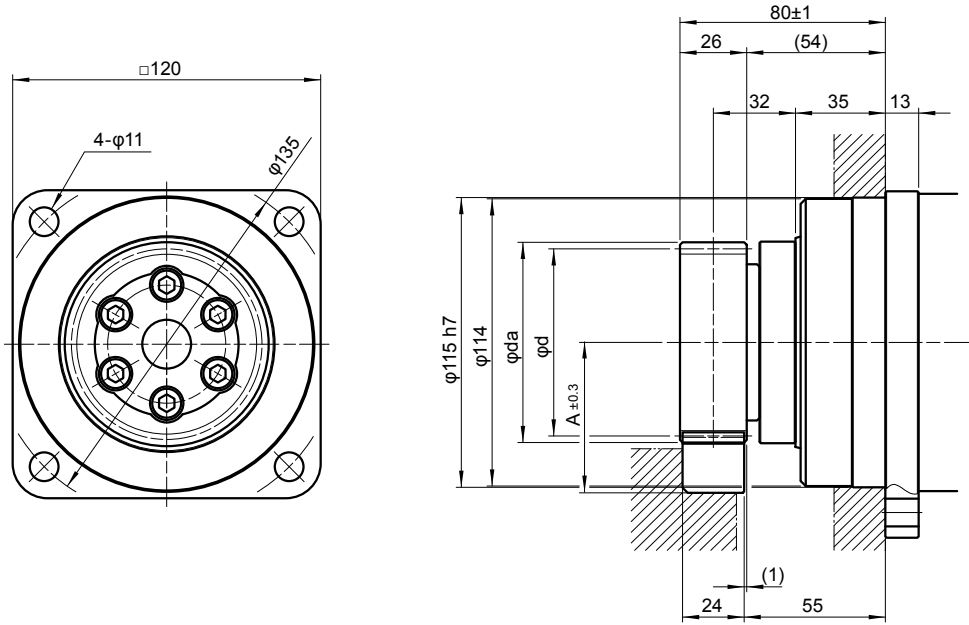
•HPG Rack and Pinion System Specifications

Gearhead Series	Module [mm]	Number of teeth of pinion gear	Limit for linear thrust [N]	Limit for repeated peak torque [N·m]	Limit for momentary torque [N·m]	Limit for transportation speed [m/min] * for R = 5	Mass of pinion gear [kg]
			Induction hardening rack	Induction hardening rack			
HPG-32R HPG-32A	2	35	5400	200	400	280	1.37
		40	5500	233	450	320	1.62
		45	5600	267	500	360	1.79
HPG-50 A	3	31	9800	483	1100	279	3.14
		35	9900	551	1150	315	3.62
		40	10000	636	1150	360	4.16

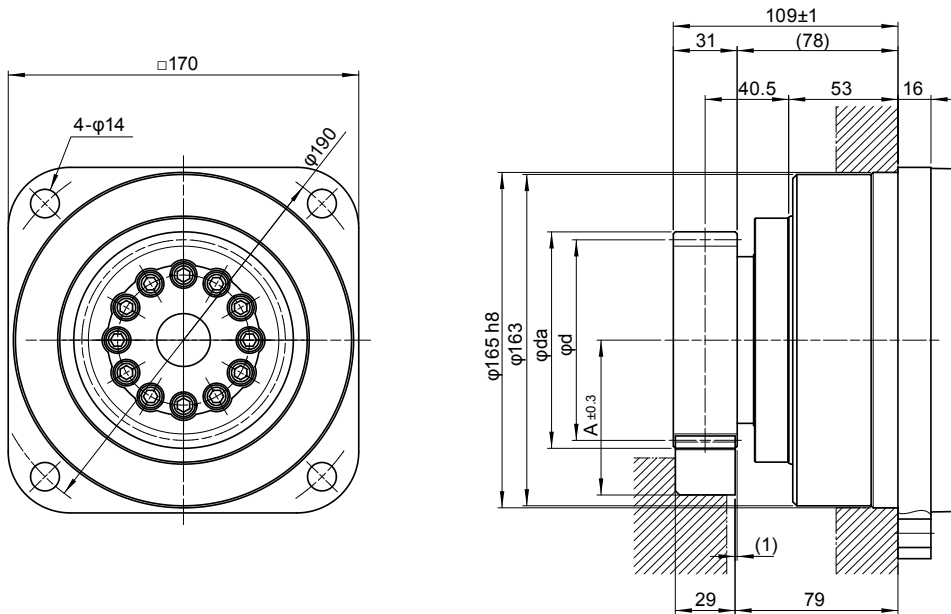
•Rack Dimensions

Module m [mm]	Pitch Pt [mm]	Length L [mm]	Number of teeth z	a [mm]	a1 [mm]	B [mm]	d1 [mm]	d2 [mm]	d3 [mm]	hB [mm]	C ^{+0.8/-0.2} [mm]	h [mm]	H [mm]	t [mm]	i [mm]	i1 [mm]	L1 [mm]	Mass M [kg]
2	6.666	500	75	31.7	436.6	24	6.6	11	5.7	8	2	22	24	6.5	62.5	125	8.5	2.0
		1000	150		936.6													4.1
3	10.000	500	50	35.0	430	29	9.0	14	7.7	9	2	26	29	8.6	62.5	125	10.3	2.9
		1000	100		875													5.7





Gearhead Series	Module m [mm]	Number of teeth of pinion gear Z	Mounting distance $A \pm 0.3^{*1}$ [mm]	Tooth tip circle diameter da [mm]	Pitch circle diameter d [mm]
HPG-32R HPG-32A	2	35	59.7	79.427	74.272
		40	65.0	90.083	84.883
		45	70.2	100.373	95.493



Gearhead Series	Module m [mm]	Number of teeth of pinion gear Z	Mounting distance $A \pm 0.3^{*1}$ [mm]	Tooth tip circle diameter da [mm]	Pitch circle diameter d [mm]
HPG-50A	3	31	76.2	106.476	98.676
		35	82.6	119.209	111.409
		40	90.6	135.124	127.324

Applications

Robots



Industrial robots
Robot peripheral equipment

Primary axis
End effectors
Linear axis
Indexing table
Peripheral equipment

FHA-Mini	CSG
FHA-C	CSD
RSF	CSF
Micro Encoder	SHG
	SHF
	SHD
	HPG

Humanoid Robots

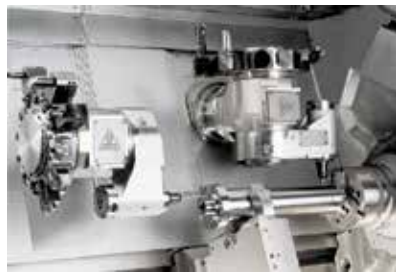
Humanoid Robots

Joint articulation
Robotic hand
Vision sensor positioning
Torque sensing

FHA-Mini	CSG
FHA-C	CSD
RSF-Supermini	CSF
RSF-Mini	SHG
Micro Encoder	SHF
	SHD
	HPG



Metal Machine Tools



Machining centers
Turning centers
Work transfer systems
CNC Grinders
EDM systems

Tool changer
Tool magazine
Work positioning equipment
Rotary table
C Axis

FHA-C
RSF
LAH
CSG
CSF
SHG
SHF
HPG

Metal Working Machines

Bending machines
Rolling machines
Presses
Work transfer systems

Bending axis
Work positioning
Work transfer

FHA-C
RSF
LSA
SHG
SHF
HPG



Printing, Bookbinding and Paper Processing Machines



Printing presses
Folding machines
Paper changing machines
Paper positioning machines
Paper machines

Web tension control
Cutting blade positioning
Phase adjusting
Roller height adjustment

FHA-C
RSF
CSG
CSF
SHG
SHF
FB
FR
FD
HPG

Semiconductor Manufacturing Systems



Mask and reticle manufacturing
 Wafer fabrication equipment
 Wafer processing equipment
 Test & Assembly equipment
 Inspection equipment
 Wafer transfer equipment

Wafer transfer robots
 Positioning drive
 Indexing tables
 Wafer flipper
 Valve opening/closing

FHA-C mini	Micro Encoder
FHA-C	CSF
RSF	SHD
RSF-Supermini	SHF
KDU	HPG
RH	
LA	
LAH	

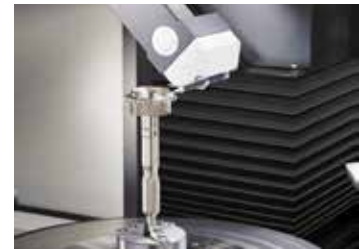
Measurement, Analytical and Test Systems

Photometric equipment
 Three-dimensional measuring instruments
 Metal tensile test machines
 Soil-column yield strength test machines

Transfer systems
 Positioning drive
 Prism positioning drive
 Indexing tables
 Direct transmission tables

FHA-C mini
RSF
RSF-Supermini
KDU
RH
LSA
Micro Encoder

CSF
SHF



Medical Equipment



Three-dimensional manipulators
 X-ray photographing and CT-NMR systems
 X-ray film developing and take-off machines
 Surgical operation assistant robots

Precision joint drive
 Bed lifting and inclination drive
 Positioning table drive

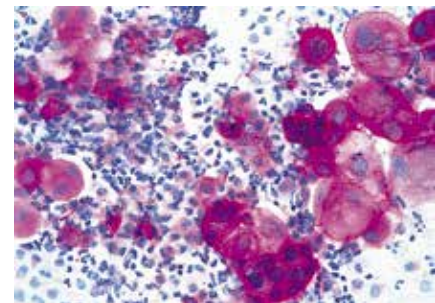
FHA-C mini
FHA-C
RSF
RH
CSF
SHF

Optical Machines

X-ray analytical systems
 Optical component inspection systems
 Laser oscillation machines
 Optical measuring instruments
 Surface inspection systems
 Optical disc manufacturing systems
 Laser markers

Positioning table drive
 Lens positioning drive
 Laser mirror drive
 Prism drive
 Probe drive
 Sensor positioning drive

FHA-C mini
RSF
RSF-Supermini
KDU
RH
LSA
Micro Encoder
CSF
SHF



Telescopes



Condenser mirror adjusting mechanisms
 Electromagnetic wave micrometer adjusting mechanisms
 Secondary mirror position control
 Robot arms for maintenance servicing

X, Y, Z axis drive
 Indirect drive mechanisms

FHA-C mini
RSF-Supermini
RSF
KDU
LA
LAH
LBC
CSF
SHF
HPG

Applications

Wood, Light Metal and Plastic Machine Tools



Woodworking machines
5-axis machining centers
3-axis gantry mills
Work transfer systems

Milling head drive
Tool magazine drive
Work positioning machines
Rotary table drive
Tool positioning machine drive
Direct transmission shaft drive
Shaft drive

- FHA-C mini
- FHA-C
- RSF
- RSF-Supermini
- LAH
- CSG
- CSF
- SHG
- SHF
- HPG

Energy

Oil exploration robot
Wind power equipment
Electric power equipment
Photovoltaics

Directional drilling
Propeller pitch control
Solar panel positioning

- FHA-C
- CSF
- FR



Paper-making Machines



Paper-making machines
Corrugated fiberboard box making and printing machines

Coating-process roller positioning drive
Head box slice lip positioning
Cutter knife positioning
Cutter knife traveling drive

- RSF
- FHA-C
- RH
- CSF
- SHF
- HPG

Crating and Packaging Machines

Sealing machines
Label printing machines
Label attaching machines
Robots
Work transfer systems

Shaft synchronizing drive
Roll synchronizing drive
Joint drive
Trolley drive

- FHA-C
- RSF
- RH
- CSF
- SHF
- FB
- FR
- FD

HPG



Flat Panel Display Manufacturing Systems



Array process equipment
Cell process equipment
Assembly process equipment
Work transfer systems

Transfer systems
Positioning
Indexing tables
Direct transmission tables
Work reversing machines
Tension controllers
Hatch opening/closing drive
Joint drive
Trolley drive

- FHA-C mini
- FHA-C
- RSF
- RSF-Supermini
- KDU
- RH
- LA
- LAH
- CSF
- SHF
- SHD
- HPG

Communication Equipment



Antennas
Microphones
Cameras
Wavelength duplexers
Radars

Pan & Tilt drives
Prism drive

FHA-C mini
FHA-C
RSF
RSF-Supermini
RH
LA
LSA
HPG

Micro Encoder

Printed Circuit Board Manufacturing Machines

Electronic component
insertion machines
Solder paste dispensing
machines
Board inspection systems
Transfer systems

Drilling head drive
Tool changer drive
Tool magazine drive
Work positioning machines
Rotary table drive
Tool positioning machine drive
Shaft drive

FHA-C mini
FHA-C
RSF
RSF-Supermini
LAH
CSG
CSF
SHG
SHF
HPG



Space



Communication
Antennas
Solar Array Drives
Robotic joints
Robotic arms

Pan & Tilt drive
Joint drive
Wheel drive

CSF
SHF
SHD

Aircraft

Flight simulators
Cargo handling and transfer
systems
Reconnaissance cameras
Valves

Valve actuator
Trolley drive
Cargo wheel power
drive unit
Fly-by-Wire Components

FHA-C mini
FHA-C
RSF
RSF-Supermini
RH
CSF
HPG



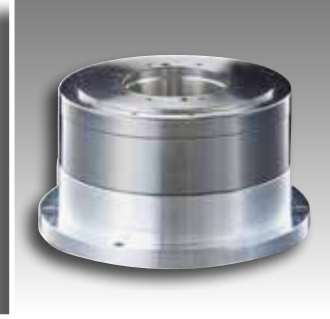
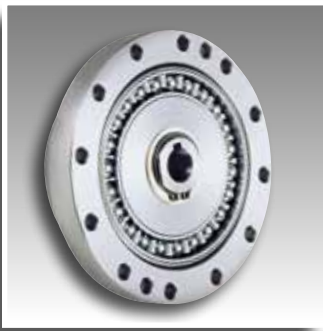
Glass and Ceramic Manufacturing Systems



Ceramic forming machines
Glass polishing machines
Sheet glass cutting machines

Valve opening and closing
Valve positioning
Traveling trolley drive

FHA-C mini
FHA-C
RSF
LSA
CSF
SHF
HPG



Harmonic Drive LLC

US Headquarters
42 Dunham Ridge
Beverly, MA 01960

New York Sales Office
100 Motor Parkway
Suite 116
Hauppauge, NY 11788

California Sales Office
333 W. San Carlos Street
Suite 1070
San Jose, CA 95110

Chicago Sales Office
137 N. Oak Park Ave., Suite 410
Oak Park, IL 60301

T: 800.921.3332
T: 978.532.1800
F: 978.532.9406

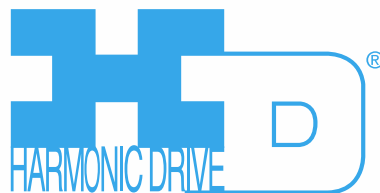
www.HarmonicDrive.net

Harmonic Drive, Harmonic Planetary,
Infinit-Indexer and Quick Connect are registered
trademarks of Harmonic Drive LLC.

Group Companies

Harmonic Drive Systems, Inc.
6-25-3 Minami-Ohi, Shinagawa-ku
Tokyo 141-0013, Japan

Harmonic Drive AG
Hoenbergstrasse, 14, D-65555
Limburg/Lahn Germany



Rev 20210609

All efforts have been made to ensure that the information in this catalog is complete and accurate. However, Harmonic Drive LLC is not liable for any errors, omissions or inaccuracies in the reported data. Harmonic Drive LLC reserves the right to change the product specifications, for any reason, without prior notice. For complete details please

Sold & Serviced by:
 **ELECTROMATE**

Toll Free Phone: (877) SERV098
Toll Free Fax: (877) SERV099

www.electromate.com
sales@electromate.com